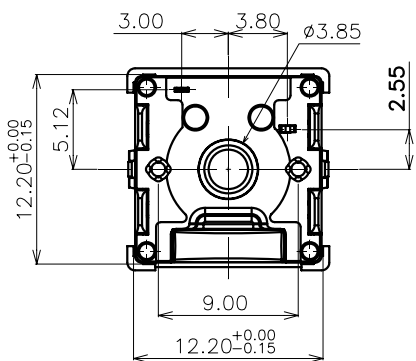
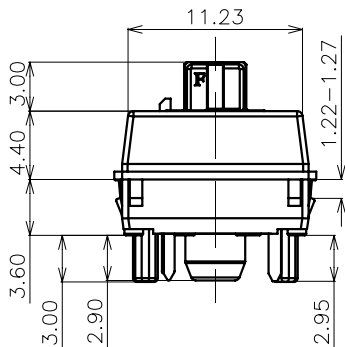
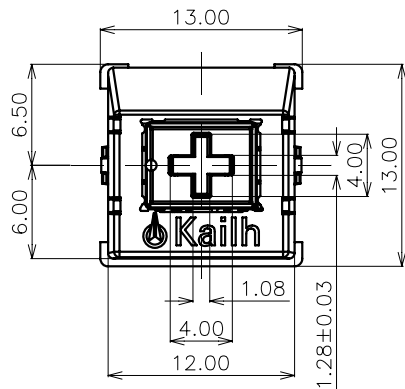
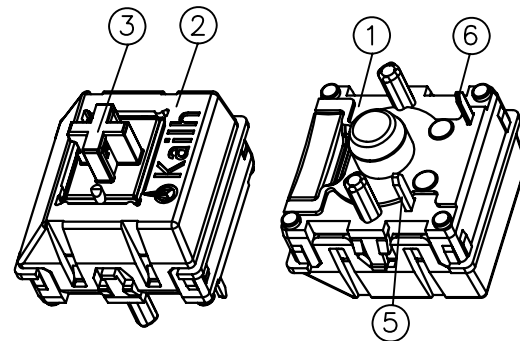
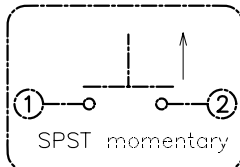


ABIDE BY ROHS



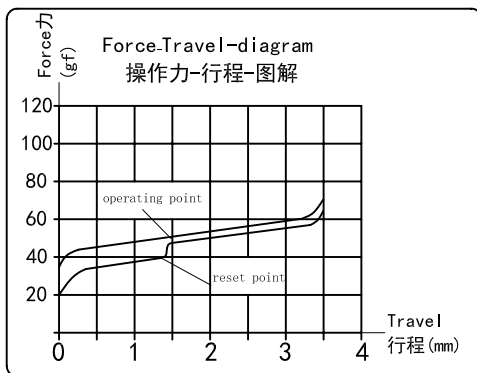
SWITCH FUNCTION



Specification :

- 1.Rating:
Voltage :12V AC/DC max.,2V DC min.
Current: 10mA AC/DC max.,10µA DC min.
- 2.Contact Resistance : 200mΩ Max
- 3.Insulation Resistance :100MΩ at 100V
- 4.Withstand Voltage :AC100V(50-60Hz) for 1 minute
- 5.Bounce Time: ≤5msec (at 16 in/sec. actuation speed)
- 6.Operation Force : 45±15gf (30-60gf for total travel)
- 7.Pretravel:1.8±0.6mm
- 8.Total travel: 3.5±0.5mm
- 9.Operating Life :50,000,000 Cycles
- 10.For assembly more than 1X1.5 keycap, it need install a equalizing bar.

Linear feel-Red shaft

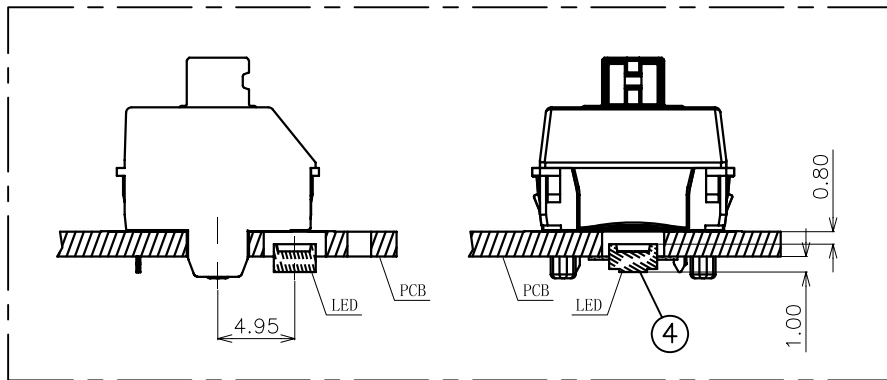


⑥	Terminal B	1	Copper Alloy			
⑤	Terminal A	1	Copper Alloy			
④	LED	1	See led spec	R.G.B full color		
③	Keystroke	1	POM	Nature	UL94HB	
②	Cover	1	PC			
①	Base	1	Nylon			
ITEM	PART NAME	TER'NO	QTY.	MATERIAL	FINISHING	REMARK

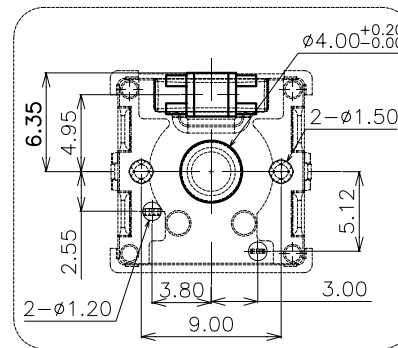
APPROVALS		DATE	DONGGUAN CITY KAIHUA ELECTRONICS CO.,LTD		
DRAWN	Chenjun	2016-2-29			
CHECKED			TITLE: PG1280 KeySwitches with LED		
APPROVALS			PART NO. PG128001S01		
TOLERANCES ARE		ANGLE	UNIT: mm	SCALE: 1:1	PROJ:
30<L	±0.30	±2'	DRAWING NO. HKA-PG1280-001EN	SHEET 1 OF 2	
10<L	±0.20				
5<L	±0.15				
L	±0.10				

ECN NO.	REV.	DATE.	NEW DESCRIPTION.	CHANGE.	CHECK.	APPRO.
	A					

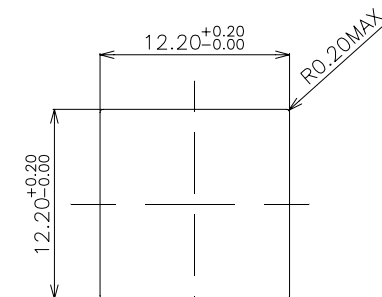
ABIDE BY ROHS



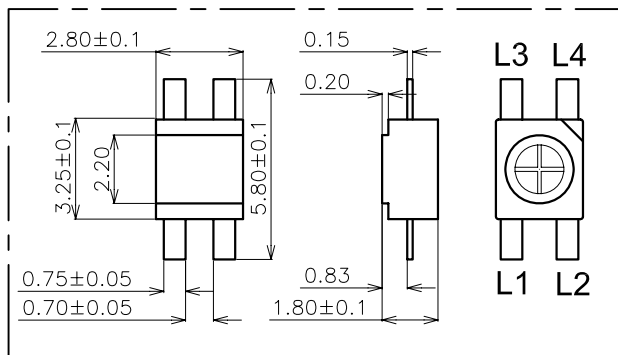
LED Assembly Drawing



PCB Layout (Drilling patterns)



Metal frame thickness: 1.2±0.05mm
Metal frame cutout dimensions



LED Drawing
SCALE 2:1

■ R.G.B Full Color NO.(共阳)

Terminal No.	L1	L2	L3	L4
Colour				
Red		●		●
Green	●			●
Blue			●	●

APPROVALS		DATE	DONGGUAN CITY KAIHUA ELECTRONICS CO.,LTD Kaih			
DRAWN	Chenjun	2016-2-29	TITLE:	PG1280 KeySwitches with LED		
CHECKED			PART NO.	PG128001S01		
APPROVALS			TOLERANCES ARE	30<L ±0.30	ANGLE	UNIT: mm
				10<L ≤30 ±0.20	±2'	SCALE: 1:1
				5<L ≤10 ±0.15		DRAWING NO
				L ≤5 ±0.10		HKA-PG1280-001EN
						SHEET 2 OF 2

ECN NO.	REV.	DATE.	DESCRIPTION.	CHANGE.	CHECK.	APPRO.
	A		NEW			

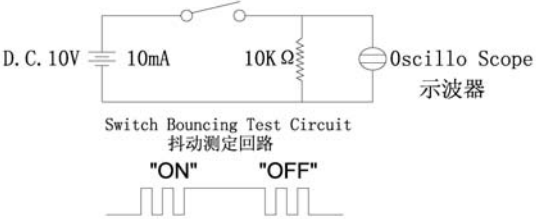

CPG128001S01 Keyswitch Specification

1. General specification 基本事项

- 1.1 Switch action : Push-on type, S. P. S. T
开关种类 : 按键开关, 单刀单掷
- 1.2 Switch rating 额定值 : 12 VAC/DC max. 2 VDC min. 10mA AC/DC max. 10µA DC min.
- 1.3 Operation temperature range 使用温度试验范围 : - 10 ~ +60°C
- 1.4 Storage temperature range 保存温度范围 : - 20 ~ + 60°C
- 1.5 Suggested storage period 贮存期限 : about 6 months 最多六个月
Require the tin part on the switch terminals should keep good after storage guarantee date
要求贮存期后开关端子部分上锡仍然良好
- 1.6 Appearance and dimensions 外形及尺寸 : See outside drawing page 见外形尺寸图
- 1.7 Led specification LED 规格 : See Led specification 见LED规格书 (BZPG1583-08002)
- 1.8 Standard condition Unless otherwise specified, the test and measurements shall be carried out as follows:
试验、测定状态
- Ambient temperature 温度: 20±2°C Relative humidity 相对湿度: 45 ~ 85
Air pressure 气压: 86 ~ 106kPa(860~1060mbar)
- However, if doubt arises on the decision based on the measured Values under the above-mentioned conditions, the following conditions shall be employed:
但是在对判定产生疑义时,按下述状态实施:
- Ambient temperature 温度:20±2°C Relative humidity 相对湿度: 65±5%
Air pressure 气压: 86 ~ 106kPa(860~1060mbar)

2. Performance 性能

2.1 Electrical characteristics 电气性能

No.	Item 项目	Test condition 试验条件	Performance 规格
2.1.1	Contact resistance 接触电阻	Push force: (Operation force) x 2. 测定时的负荷: 操作方向动作力基准值的2倍。 Measurement tool : Contact resistance meter 测定器: 微电流接触电阻计(1kHz, 20mV, 5~50mA)	200mΩ MAX 200mΩ 以下
2.1.2	Insulation resistance 绝缘电阻	D. C. 100V(Between terminals) (端子间)	100MΩ min 100MΩ 以上
2.1.3	Withstand voltage 耐电压	AC 100V for 1 min (Between terminals) (端子间)	No. insulation destruction. 无绝缘破坏.
2.1.4	Bouncing 触点抖动	Operation speed : 3~4 times/s 操作速度: 每秒3~4次 Oscillo scope 示波器 Switch Bouncing Test Circuit 抖动测定回路 	ON:5ms max 5ms以下 OFF:5ms max 5ms以下
REVISION	A版		
	NEW		
 DONGGUAN CITY KAIHUA ELECTRONICS CO., LTD 东莞市凯华电子有限公司	WRITTEN BY	CHECKED BY	APPROVED BY
	Chenjun		

CPG128001S01 Keyswitch Specification

2.2 Mechanical Characteristics 机械性能

No.	Item 项目	Test condition 试验条件	Performance 规格
2.2.1	Operation force 动作力 Travel to closure 动作行程 (见图表)	<p style="text-align: center;">Force-Travel-diagram 操作力-行程-图解</p>	operating force 操作力: $45 \pm 15\text{gf}$ Full Travel 全行程: $3.5 \pm 0.5\text{mm}$ Pre Travel 预行程: $1.8 \pm 0.6\text{mm}$
2.2.2	Push strength 按压强度	50N(5Kgf) for 15 sec 50N(5Kgf) 15 秒	No damage (Electrical and mechanical) 无异常 (电气、机械性能)
2.2.3	Pull strength 推压强度	Break by drawing push plate in the direction of right diagram 抽拔推杆使其破坏的强度.	50N min (5kgf min)
2.2.4	Vibration test 耐振性	1) Amplitude 全振幅: 1.5 mm 2) Sweep rate: 10-55-10HZ for 1 minute 扫描速度: 10-55-10HZ 1 分钟 3) Sweep method: Logarithmic frequency sweep rate 扫描方式: 对数频率扫描速度 4) Vibration direction : X, Y, Z(3 directions) 振动方向: X, Y, Z (3 方向) 5) Time : Each direction 2 hours (Total 6 hours) 时间: 每个方向2 个小时(共6 个小时)	No.2.1 and 2.2.1 to 2.2.2 shall be satisfied 满足2.1 项和2.2.1 至 2.2.2 项.
2.2.5	Soldering heat test 耐焊接热	端子焊接部分浸入焊炉, 焊炉温度 $260 \pm 5^\circ\text{C}$, 焊接时间 5 ± 1 秒。(焊接时不可于端子施加外力)。 Terminals shall be dipped in the solder bath at $260 \pm 5^\circ\text{C}$ for 5 ± 1 seconds without additional force for terminals.	No damage (electrical and mechanical) 无异常 (气、机械特性)
2.2.6	Solderbility 可焊性	After sprated flux / 涂上助焊剂后 temperature : $260 \pm 5^\circ\text{C}$ / 温度: $260 \pm 5^\circ\text{C}$ soldering time : 2 ± 0.5 sec/ 焊接时间: 2 ± 0.5 秒	70% or more of surface area of the portion immersed in solder shall be covered by new solder / 70% 或更多的浸焊面能被焊锡覆盖.
REVISION	A 版		
	NEW		
DONGGUAN CITY KAIHUA ELECTRONICS CO., LTD 东莞市凯华电子有限公司	WRITTEN BY	CHECKED BY	APPROVED BY
	Chenjun		

CPG128001S01 Keyswitch Specification

2.3 Climatic characteristics 耐候性能

No.	Item 项目	Test condition 试验条件	Performance 规格												
2.3.1	Cold test 耐寒性	1) Temperature : $-20 \pm 2^{\circ}\text{C}$ 温度: $-20 \pm 2^{\circ}\text{C}$ 2) Duration of test: 48h 持续时间: 48 小时 3) Take off a drop water 去掉水珠 4) Standard conditions after test : 1h 试验后的放置条件: 1 小时	Contact resistance 200mΩ max No. 2.1.2 to 2.1.4 and No. 2.2.1 to 2.2.2 shall Be satisfied 接触电阻 200mΩ 以下 满足2.1.2 到2.1.4 项、 2.2.1 到2.2.2 项.												
2.3.2	Heat test 耐热性	1) Temperature : $60 \pm 2^{\circ}\text{C}$ 温度: $60 \pm 2^{\circ}\text{C}$ 2) Duration of test: 48h 持续时间: 48 小时 3) Standard conditions after test : 1h 试验后的放置条件: 1 小时	Contact resistance 200mΩ max No. 2.1.2 to 2.1.4 and No. 2.2.1 to 2.2.2 shall Be satisfied 接触电阻 200mΩ 以下 满足2.1.2 到2.1.4 项、 2.2.1 到 2.2.2 项.												
2.3.3	Temperature cycle 温度循环	1) Test cycles :20 cycles 试验周期: 20 个周期 2) Standard condition after test :1h 试验后的放置条件: 1 小时 <table border="1" style="width: 100%; border-collapse: collapse;"> <thead> <tr> <th style="width: 30%;"></th> <th style="width: 35%;">temperature 温度</th> <th style="width: 35%;">duration of test 持续时间</th> </tr> </thead> <tbody> <tr> <td rowspan="4" style="text-align: center;">1 cycle 一次 循环</td> <td style="text-align: center;">$20 \pm 5^{\circ}\text{C}$</td> <td style="text-align: center;">1h</td> </tr> <tr> <td style="text-align: center;">$-40 \pm 2^{\circ}\text{C}$</td> <td style="text-align: center;">1h</td> </tr> <tr> <td style="text-align: center;">$20 \pm 5^{\circ}\text{C}$</td> <td style="text-align: center;">1h</td> </tr> <tr> <td style="text-align: center;">$60 \pm 5^{\circ}\text{C}$</td> <td style="text-align: center;">1h</td> </tr> </tbody> </table>		temperature 温度	duration of test 持续时间	1 cycle 一次 循环	$20 \pm 5^{\circ}\text{C}$	1h	$-40 \pm 2^{\circ}\text{C}$	1h	$20 \pm 5^{\circ}\text{C}$	1h	$60 \pm 5^{\circ}\text{C}$	1h	Contact resistance 200mΩ max No. 2.1.2 to 2.1.4 and No. 2.2.1 to 2.2.2 shall be satisfied 接触电阻 200mΩ 以下 满足2.1.2 到2.1.4 项、 2.2.1 到2.2.2 项.
	temperature 温度	duration of test 持续时间													
1 cycle 一次 循环	$20 \pm 5^{\circ}\text{C}$	1h													
	$-40 \pm 2^{\circ}\text{C}$	1h													
	$20 \pm 5^{\circ}\text{C}$	1h													
	$60 \pm 5^{\circ}\text{C}$	1h													
2.3.4	Humidity test 耐湿性	1) Temperature : $60 \pm 2^{\circ}\text{C}$ 温度: $60 \pm 2^{\circ}\text{C}$ 2) relative humidity: 90~95% 相对湿度:90~95% 3) Duration of test: 96h 持续时间: 96 小时 3) Take off a drop water 去掉水珠 5) Standard conditions after test : 1h 试验后的放置条件: 1 小时	Contact resistance 200mΩ max No. 2.1.2 to 2.1.4 and No. 2.2.1 to 2.2.2 shall Be satisfied 接触电阻 200mΩ 以下 满足2.1.2 到2.1.4 项、 2.2.1 到2.2.2 项.												

REVISION

A 版

NEW



DONGGUAN CITY KAIHUA ELECTRONICS CO., LTD
 东莞市凯华电子有限公司


WRITTEN BY

Chenjun

CHECKED BY

APPROVED BY

CPG128001S01 Keyswitch Specification

No.	Item 项目	Test condition 试验条件	Performance 规格		
2.3.5	Endurance (switching action) 耐久特性 (开关寿命)	1) D.C.12V 10mA resistance load D.C 12V 10mA 电阻负荷 2) Operation speed : 1 times / s 动作速度: 2-3 次/ 秒 3) Push force : Maximum value of operation force 按力: 动作力规格值的上限 4) Operation number:50,000,000cycles 动作次数:50, 000, 000次	After endurance test, 寿命测试后, Contact resistance 30Ω max 接触电阻 30Ω 以下 Variation rate of operation force shall be within ±30%to the value before testing 动作力的变化范围在初始值的± 30%以内 No.2.1.2 and 2.2.2 shall Be satisfied 满足2.1.2 和2.2.2 项		
2.3.6	盐雾实验 Salt Mist Test	试件在下述实验后测量: 1. 温度: 35±5°C 2. 盐溶液浓度: 5±1% (质量百分比), 3. 试验时间: 12小时, 4. 试验后, 将盐沉积物用水冲掉。 The switch shall be checked after following test: 1. Temperature: 35±5°C 2. Salt solution: 5±1%(Solids by mass) 3. Duration: 12 hours, 4. After immersing, salt deposit shall be removed by running water.	Contact resistance 200mΩ max No. 2.1.2 to 2.1.4 and No. 2.2.1 to 2.2.2 shall Be satisfied 接触电阻 200mΩ 以下 满足2.1.2 到2.1.4 项、2.2.1 到 2.2.2 项.		
2.3.7	Shock 耐冲击性	Measure after test at a condition below 在下列条件下进行测试后的量度 Peak acceleration:80G 冲击加速度:80G Test time-6direction ,each 3 times total 18 times 测试次数-6 个方向, 各3 次共计18 次。	No.2.1 and 2.2.1 to 2.2.2 shall be satisfied 第2.1 及2.2.1—2.2.2 都应符合要求		
REVISION	A 版				
	NEW				
	DONGGUAN CITY KAIHUA ELECTRONICS CO., LTD 东莞市凯华电子有限公司		WRITTEN BY Chen jun	CHECKED BY	APPROVED BY

CPG128001S01 Keyswitch Specification

4. Precaution 注意事项

4.1 Soldering condition 浸焊条件

ITEM 项目	CONDITION 条件
Preheat temperature 预热温度	110°C max (Embilomental temperature of soldering surface of P. W. E) 110°C 以下(印刷基板焊锡面周围的温度)
Preheat time 预热时间	60 sec, max 60 秒以内
Area of flux 助焊剂的面积	1/2 max of P. W. B. thickness 印刷基板厚度的1/2 以内
Temperature of solder 焊锡温度	260±5°C 260±5°C
Time of immersion 浸焊时间	Within 5 sec 5 秒以内
Soldering number 浸焊次数	Within 2 times (But should bring down heat of the first soldering) 2 次以内 (但应把第一次焊锡的温度降下来)
Printed wiring board 印刷基板	Single sided copper-clad laminates 单面铜箔

1) After switches were soldered, please be careful not to clean switches with solvent

开关浸焊后,注意不要用溶剂清洗.

2) In the case of using soldering iron, soldering conditions shall be 280oC max and 3 sec. max

在使用烙铁的情况下, 焊锡温度应在350±10°C 以下, 3 秒以内.

3) Right after switches were soldered; please be careful not to load on the knobs of switches.

浸焊后,注意不要在顶部施加负荷.

4.2 Note(注意点)

1) Please be cautious not to give excessive static load or shock to switches.

注意不要施加超负荷的压力或晃动开关.

2) Please be careful not to pile up P. W. B. after switches were soldered.

开关焊接以后,印刷基板注意不要叠放.

3) Preservation under high temperature and high humidity or corrosive gas should be avoided

especially. When you need to preserve for a long period, do not open the carton.

保管时尤其应注意避开高湿高温和有腐蚀性气体的环境.如需长时间保存,请不要打开包装箱.

4) Panasert RH and RH6 shall be used as the standard insert machine (use N type clinch).

使用标准插入机器PANASERT 和RH6 (使用N 式钉)

5) CONTROL HAZARDOUS SUBSTANCE: THE PRODUCT SHOULD BE MEET

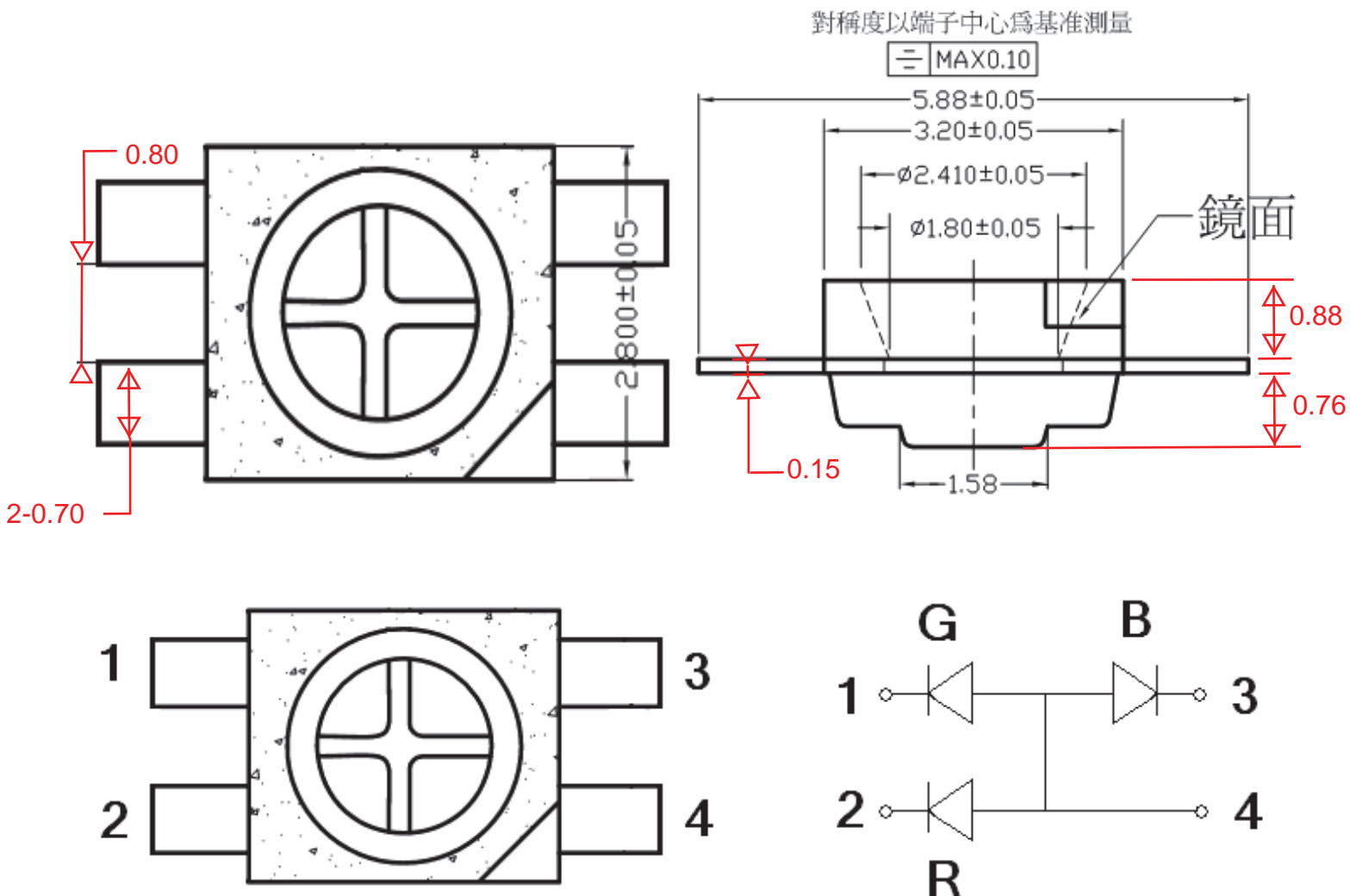
ROHS SPECIFICATION.

产品应满足 ROHS 环境管理物质管制标准

REVISION	A 版		
	NEW		
 DONGGUAN CITY KAIHUA ELECTRONICS CO., LTD 东莞市凯华电子有限公司	WRITTEN BY	CHECKED BY	APPROVED BY
	Chen jun		

KAILH-PG1280-SMT-LED

Emitter 外型图:



Note:

- Super High brightness of surface mount LED
- Sorting for I_v and $V_f@20\text{mA}$ of I_f
- Compatible to IR reflow soldering.
- The tolerances unless mentioned is $\pm 0.2\text{mm}$, Unit = mm

KAILH-PG1280-SMT-LED

■ Absolute Maximum Rating 极限工作参数

Item 项目	Symbol 代号	Absolute Maximum Rating 极限工作参数	Unit 单位
Forward Current 正向电流	IF	20	mA
Peak Forward Current 瞬间脉冲电流	IFP	50	mA
Reverse Voltage 反向电压	VR	5	V
Electrostatic discharge 静电释放	ESD	1000	V
Operating Temperature 工作温度范围	TOPR	-35~+85	°C
Storage Temperature 存放温度范围	TSTG	-40~+90	°C
Soldering Temperature 最高焊接温度	TSOL	Reflow Soldering: 220°C for 5 sec Hand Soldering: 260°C for 3 sec	

■ Electro-Optical Characteristics (Ta=25°C) 光电特性参数

Item 项目	Symbol 代号	Condition 测试条件	Min 最小值	Typ 典型值	Max 最大值	Unit 单位	
Forward Voltage 正向电压	VF	IF=20mA	R	1.8	2.1	2.4	V
			G	2.7	3.0	3.3	
			B	2.8	3.1	3.4	
Light intensity 光强度	IV	IF=20mA	R	400	450	500	mcd
			G	900	950	1000	
			B	300	350	400	
Wavelength 波长	WD	IF=20mA	R	620	623	625	nm
			G	517	519	522	
			B	465	467	468	
Luminous Flux 光通量	Φ	IF=20mA	R	1.8	2.0	2.2	lm
			G	5.7	6.0	6.3	
			B	1.4	1.6	1.8	
Reverse current 逆向电流	IR	IF=20mA			5	uA	
Viewing Angle 半光全角	2θ 1/2	IF=20mA			120	deg	
Recommend Forward Current 持续正向电流	IF(rec)	IF=20mA			20	mA	

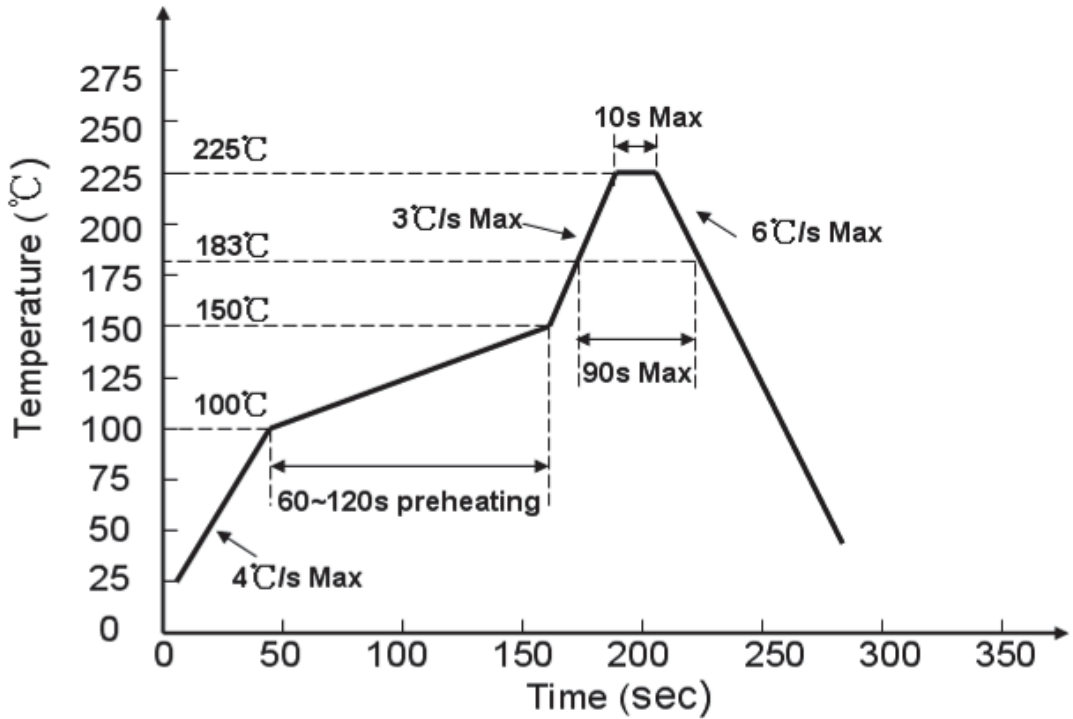
Notes:

1. Work absolute ratings Ta=25°C 工作常规值 温度=25°C
2. Tolerance of measurement of forward voltage ±0.1V 正向电压误差范围 ±0.1V

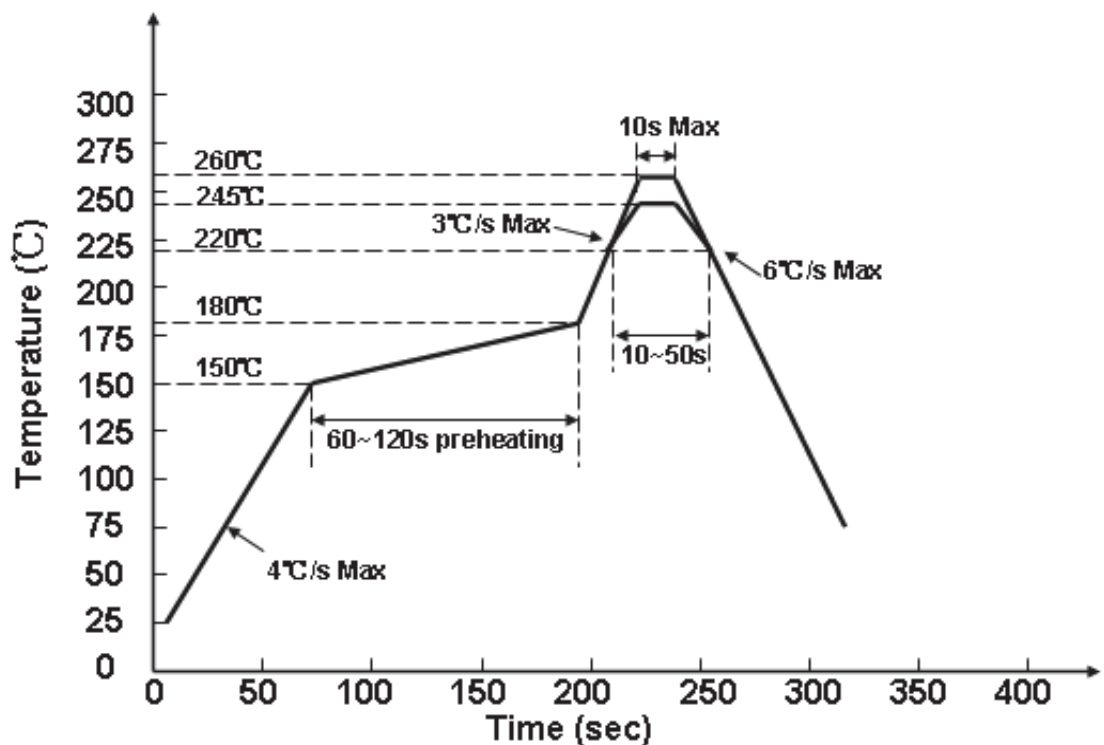
KAILH-PG1280-SMT-LED

■ Soldering Profile Suggested

1、 For Lead Solder



2、 For Lead Free Solder



Notes:

We recommend the soldering temperature $245 \pm 5^\circ\text{C}$;

The maximum temperature should be limited to 260°C .

NOTE:

Number of reflow process shall be less than 2 times and cooling process to normal temperature is required between first and second soldering process. 回流焊接应该少于 2 次，在第一和第二次焊接之间要求有冷却至常温的过程。

一、PRECAUTIONS IN USE LED/使用 LED 注意事项；

LED Soldering condition/ LED 焊接条件；

1: 烙铁焊接：烙铁最高 30W 尖端温度不超过 300℃；焊接时不超过 3 秒；

Manual soldering: iron Maximum 30W, iron bit temperature can not over 300 degree; soldering time should not be more than 3 seconds;

Cleanout/清洗；

当用化学品清洗 LED 胶体时须特别小心，因为有些化学品对胶体表面有损伤并引起褪色如三氯乙烯、丙酮，可用乙醇擦拭浸渍，时间在常温下不超过 2 分钟。

Utmost care must be taken when using chemical to clean LED, Some chemical can damage the surface of epoxy and will cause colour fading, such as trichloroethylene, acetone etc ethanol can be used to wipe and dip under normal temperature, but the time should not be more than 2 minutes.

ESD Protection/静电防护；

静电和电流的急剧升高会对 LED 产生损伤，LED 系列产品使用时请使用防静电装置，如防静电带和手套。

Excessive ESD and current could damage the LED, protection equipment such as bands when operate LED Product.

注意：使用时人体放电模式 HBM<1000V；机器放电模式 HBM<100V。

Attention: Human Body discharge Mode HBM<1000V; Machine discharge Mode MM<100V

Reliability Test/可靠性试验；

我公司的 LED 产品不仅要经过生产线的自动分档测试仪检测、分档，而且要经过严格的可靠性试验，这些试验标准都是采用业内公认的标准 MIL-STD-。

Our LED chips are classified by machine in production line; and strictly performed the reliability test according to world wide standard MIL-STD-.

尺寸检查表

页码: 1/3

编号: _____

编号: KH-IV-EN-008 REV: 001

部品料号: CPG128001S01	检查数量: 10PCS	检查者: 廖佳佳	日期: 2016/04/06
--------------------	-------------	----------	----------------

检查目的: 确认产品 确认模具 其它

使用仪器: A. 投影仪 B. 电子卡尺寸 C. 游标卡尺 D. 塞规 E. R规 F. 二点五次元 G. 螺纹规

综合判定: 合格 不合格 可以接受 审核: 赵广敬 日期: 2016-04-07

部位	尺寸规格	测定样品数量										MAX	MIN	\bar{X}	测量仪器	结果
		NO. 1	NO. 2	NO. 3	NO. 4	NO. 5	NO. 6	NO. 7	NO. 8	NO. 9	NO. 10					
1	13.00±0.20	13.03	13.02	13.03								13.03	13.02	13.03	A	OK
2	6.50±0.15	6.47	6.46	6.48								6.48	6.46	6.47	A	OK
3	6.00±0.15	5.94	5.93	5.95								5.95	5.93	5.94	A	OK
4	4.00±0.10	3.93	3.95	3.94								3.95	3.93	3.94	B	OK
5	13.00±0.20	13.01	13.00	13.02								13.02	13.00	13.01	B	OK
6	4.00±0.10	3.98	3.99	3.98								3.99	3.98	3.98	B	OK
7	1.08±0.10	1.06	1.07	1.08								1.08	1.06	1.07	B	OK
8	12.00±0.20	12.09	12.08	12.10								12.10	12.08	12.09	B	OK
9	1.28±0.03	1.26	1.27	1.27								1.27	1.26	1.27	B	OK
10	11.23±0.20	11.32	11.32	11.32								11.32	11.32	11.32	A	OK
11	3.00±0.10	3.05	3.06	3.06								3.06	3.05	3.06	A	OK
12	4.40±0.10	4.43	4.42	4.43								4.43	4.42	4.43	A	OK
13	1.22-1.27	1.25	1.25	1.24								1.25	1.24	1.25	A	OK
14	3.60±0.10	3.59	3.59	3.61								3.61	3.59	3.60	A	OK
15	3.00±0.10	3.02	3.02	3.03								3.03	3.02	3.02	A	OK
16	2.90±0.10	2.91	2.93	2.92								2.93	2.91	2.92	A	OK
17	2.95±0.10	2.95	2.94	2.95								2.95	2.94	2.95	A	OK
18	0.50±0.10	0.50	0.49	0.50								0.50	0.49	0.50	B	OK
19	0.24±0.10	0.23	0.23	0.23								0.23	0.23	0.23	B	OK

东莞市凯华电子有限公司

表单流程: 品管部填写 → 工程产品设计确认 → 发生产, 品管, 模具, 采购 → 工程文员保存

尺寸检查表

页码: 1/3

编号: _____

编号: KH-IV-EN-008 REV: 001

部品料号: CPG128001S01	检查数量: 10PCS	检查者: 廖佳佳	日期: 2016/04/06
--------------------	-------------	----------	----------------

检查目的: 确认产品 确认模具 其它

使用仪器: A. 投影仪 B. 电子卡尺寸 C. 游标卡尺 D. 塞规 E. R规 F. 二点五次元 G. 螺纹规

综合判定: 合格 不合格 可以接受 审核: 赵广敬 日期: 2016-04-07

部 位	尺 寸 规 格	测定样品数量										MAX	MIN	\bar{X}	测 量 仪 器	结 果
		NO. 1	NO. 2	NO. 3	NO. 4	NO. 5	NO. 6	NO. 7	NO. 8	NO. 9	NO. 10					
20	0.40±0.10	0.36	0.37	0.37								0.37	0.36	0.37	B	OK
21	12.42±0.20	12.33	12.31	12.32								12.33	12.31	12.32	A	OK
22	6.51±0.15	6.49	6.51	6.50								6.51	6.49	6.50	A	OK
23	8.00±0.15	8.06	8.04	8.05								8.06	8.04	8.05	A	OK
24	12.2±0.20	12.19	12.17	12.18								12.19	12.17	12.18	B	OK
25	7.19±0.15	7.26	7.25	7.25								7.26	7.25	7.25	B	OK
26	3.00±0.10	3.02	3.01	3.02								3.02	3.01	3.02	A	OK
27	3.80±0.10	3.82	3.82	3.83								3.83	3.82	3.82	A	OK
28	∅3.85±0.15	3.82	3.81	3.80								3.82	3.80	3.81	B	OK
29	12.2+0/-0.15	12.17	12.17	12.18								12.18	12.17	12.17	B	OK
30	5.12±0.15	5.13	5.11	5.12								5.13	5.11	5.12	A	OK
31	2.55±0.10	2.56	2.56	2.56								2.56	2.56	2.56	A	OK
32	9.00±0.15	5.00	5.04	5.03								5.04	5.00	5.02	B	OK
33	12.2+0/-0.15	12.20	12.18	12.18								12.20	12.18	12.19	A	OK
34																
35																
36																
37																
38																

东莞市凯华电子有限公司

表单流程: 品管部填写 → 工程产品设计确认 → 发生产, 品管, 模具, 采购 → 工程文员保存

尺寸检查表

页码: 2/3

编号: _____

编号: KH-IV-EN-008 REV: 001

部品料号: CPG128001S01	检查数量: 10PCS	检查者: 廖佳佳	日期: 2016/04/06
--------------------	-------------	----------	----------------

检查目的: 确认产品 确认模具 其它

使用仪器: A. 投影仪 B. 电子卡尺寸 C. 游标卡尺 D. 塞规 E. R规 F. 二点五次元 G. 螺纹规

综合判定: 合格 不合格 可以接受 审核: 赵广敬 日期: 2016-04-07

部位	尺寸规格	测定样品数量										MAX	MIN	\bar{X}	测量仪器	结果
		NO. 1	NO. 2	NO. 3	NO. 4	NO. 5	NO. 6	NO. 7	NO. 8	NO. 9	NO. 10					
1	13.00±0.20				13.03	13.03	13.02					13.03	13.02	13.03	A	OK
2	6.50±0.15				6.48	6.47	6.48					6.48	6.47	6.48	A	OK
3	6.00±0.15				5.94	5.94	5.93					5.94	5.93	5.94	A	OK
4	4.00±0.10				3.94	3.96	3.95					3.96	3.94	3.95	B	OK
5	13.00±0.20				13.01	12.99	13.00					13.01	12.99	13.00	B	OK
6	4.00±0.10				3.99	4.00	4.00					4.00	3.99	4.00	B	OK
7	1.08±0.10				1.08	1.07	1.07					1.08	1.07	1.07	B	OK
8	12.00±0.20				12.09	12.07	12.07					12.09	12.07	12.08	B	OK
9	1.28±0.03				1.27	1.26	1.28					1.28	1.26	1.27	B	OK
10	11.23±0.20				11.32	11.31	11.32					11.32	11.31	11.32	A	OK
11	3.00±0.10				3.05	3.06	3.06					3.06	3.05	3.06	A	OK
12	4.40±0.10				4.44	4.42	4.43					4.44	4.42	4.43	A	OK
13	1.22-1.27				1.25	1.25	1.25					1.25	1.25	1.25	A	OK
14	3.60±0.10				3.62	3.61	3.61					3.62	3.61	3.61	A	OK
15	3.00±0.10				3.02	3.01	3.01					3.02	3.01	3.01	A	OK
16	2.90±0.10				2.91	2.91	2.92					2.92	2.91	2.91	A	OK
17	2.95±0.10				2.92	2.93	2.93					2.93	2.92	2.93	A	OK
18	0.50±0.10				0.48	0.48	0.49					0.49	0.48	0.48	B	OK
19	0.24±0.10				0.24	0.24	0.23					0.24	0.23	0.24	B	OK

东莞市凯华电子有限公司

表单流程: 品管部填写 → 工程产品设计确认 → 发生产, 品管, 模具, 采购 → 工程文员保存

尺寸检查表

页码: 2/3

编号: _____

编号: KH-IV-EN-008 REV: 001

部品料号: CPG128001S01	检查数量: 10PCS	检查者: 廖佳佳	日期: 2016/04/06
--------------------	-------------	----------	----------------

检查目的: 确认产品 确认模具 其它

使用仪器: A. 投影仪 B. 电子卡尺寸 C. 游标卡尺 D. 塞规 E. R规 F. 二点五次元 G. 螺纹规

综合判定: 合格 不合格 可以接受 审核: 赵广敬 日期: 2016-04-07

部 位	尺 寸 规 格	测定样品数量										MAX	MIN	\bar{X}	测 量 仪 器	结 果
		NO. 1	NO. 2	NO. 3	NO. 4	NO. 5	NO. 6	NO. 7	NO. 8	NO. 9	NO. 10					
20	0.40±0.10				0.38	0.37	0.38					0.38	0.37	0.38	B	OK
21	12.42±0.20				12.33	12.33	12.31					12.33	12.31	12.32	A	OK
22	6.51±0.15				6.50	6.52	6.51					6.52	6.50	6.51	A	OK
23	8.00±0.15				8.04	8.05	8.05					8.05	8.04	8.05	A	OK
24	12.2±0.20				12.20	12.20	12.19					12.20	12.19	12.20	B	OK
25	7.19±0.15				7.25	7.26	7.26					7.26	7.25	7.26	B	OK
26	3.00±0.10				3.02	3.03	3.02					3.03	3.02	3.02	A	OK
27	3.80±0.10				3.83	3.84	3.83					3.84	3.83	3.83	A	OK
28	Ø3.85±0.15				3.80	3.81	3.80					3.81	3.80	3.80	B	OK
29	12.2+0/-0.15				12.19	12.18	12.18					12.19	12.18	12.18	B	OK
30	5.12±0.15				5.13	5.12	5.11					5.13	5.11	5.12	A	OK
31	2.55±0.10				2.56	2.56	2.55					2.56	2.55	2.56	A	OK
32	9.00±0.15				5.01	5.00	5.05					5.05	5.00	5.02	B	OK
33	12.2+0/-0.15				12.19	12.20	12.19					12.20	12.19	12.19	A	OK
34																
35																
36																
37																
38																

东莞市凯华电子有限公司

表单流程: 品管部填写 → 工程产品设计确认 → 发生产, 品管, 模具, 采购 → 工程文员保存

尺寸检查表

页码: 3/3

编号: _____

编号: KH-IV-EN-008 REV: 001

部品料号: CPG128001S01	检查数量: 10PCS	检查者: 廖佳佳	日期: 2016/04/06
--------------------	-------------	----------	----------------

检查目的: 确认产品 确认模具 其它

使用仪器: A. 投影仪 B. 电子卡尺寸 C. 游标卡尺 D. 塞规 E. R规 F. 二点五次元 G. 螺纹规

综合判定: 合格 不合格 可以接受 审核: 赵广敬 日期: 2016-04-07

部位	尺寸规格	测定样品数量										MAX	MIN	\bar{X}	测量仪器	结果
		NO. 1	NO. 2	NO. 3	NO. 4	NO. 5	NO. 6	NO. 7	NO. 8	NO. 9	NO. 10					
1	13.00±0.20							13.03	13.03	13.02	13.03	13.03	13.02	13.03	A	OK
2	6.50±0.15							6.47	6.48	6.47	6.47	6.48	6.47	6.47	A	OK
3	6.00±0.15							5.93	5.93	5.94	5.93	5.94	5.93	5.93	A	OK
4	4.00±0.10							3.95	3.96	3.96	3.94	3.96	3.94	3.95	B	OK
5	13.00±0.20							13.00	13.00	13.00	13.00	13.00	13.00	13.00	B	OK
6	4.00±0.10							4.00	4.00	4.00	3.99	4.00	3.99	4.00	B	OK
7	1.08±0.10							1.07	1.08	1.08	1.06	1.08	1.06	1.07	B	OK
8	12.00±0.20							12.07	12.07	12.08	12.07	12.08	12.07	12.07	B	OK
9	1.28±0.03							1.28	1.27	1.27	1.27	1.28	1.27	1.27	B	OK
10	11.23±0.20							11.32	11.33	11.32	11.32	11.33	11.32	11.32	A	OK
11	3.00±0.10							3.05	3.06	3.06	3.05	3.06	3.05	3.06	A	OK
12	4.40±0.10							4.43	4.43	4.43	4.43	4.43	4.43	4.43	A	OK
13	1.22-1.27							1.25	1.26	1.25	1.26	1.26	1.25	1.26	A	OK
14	3.60±0.10							3.60	3.62	3.61	3.61	3.62	3.60	3.61	A	OK
15	3.00±0.10							3.01	3.01	3.01	3.02	3.02	3.01	3.01	A	OK
16	2.90±0.10							2.90	2.91	2.92	2.92	2.92	2.90	2.91	A	OK
17	2.95±0.10							2.96	2.93	2.96	2.93	2.96	2.93	2.95	A	OK
18	0.50±0.10							0.49	0.50	0.49	0.50	0.50	0.49	0.50	B	OK
19	0.24±0.10							0.23	0.23	0.23	0.23	0.23	0.23	0.23	B	OK

东莞市凯华电子有限公司

表单流程: 品管部填写 → 工程产品设计确认 → 发生产, 品管, 模具, 采购 → 工程文员保存

尺寸检查表

页码: 3/3

编号: _____

编号: KH-IV-EN-008 REV: 001

部品料号: CPG128001S01	检查数量: 10PCS	检查者: 廖佳佳	日期: 2016/04/06
--------------------	-------------	----------	----------------

检查目的: 确认产品 确认模具 其它

使用仪器: A. 投影仪 B. 电子卡尺寸 C. 游标卡尺 D. 塞规 E. R规 F. 二点五次元 G. 螺纹规

综合判定: 合格 不合格 可以接受 审核: 赵广敬 日期: 2016-04-07

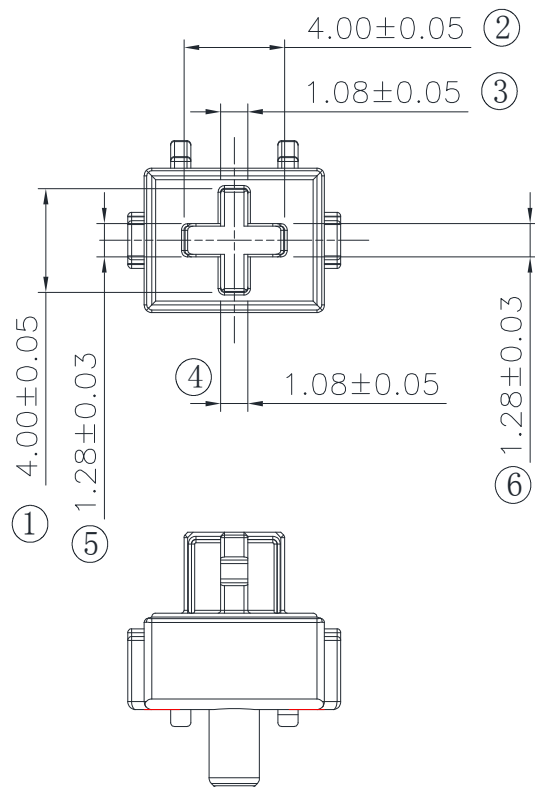
部 位	尺 寸 规 格	测定样品数量										MAX	MIN	\bar{X}	测 量 仪 器	结 果
		NO. 1	NO. 2	NO. 3	NO. 4	NO. 5	NO. 6	NO. 7	NO. 8	NO. 9	NO. 10					
20	0.40±0.10							0.38	0.38	0.38	0.37	0.38	0.37	0.38	B	OK
21	12.42±0.20							12.32	12.32	12.32	12.32	12.32	12.32	12.32	A	OK
22	6.51±0.15							6.50	6.49	6.50	6.49	6.50	6.49	6.50	A	OK
23	8.00±0.15							8.04	8.05	8.04	8.05	8.05	8.04	8.05	A	OK
24	12.2±0.20							12.18	12.20	12.18	12.20	12.20	12.18	12.19	B	OK
25	7.19±0.15							7.25	7.25	7.25	7.25	7.25	7.25	7.25	B	OK
26	3.00±0.10							3.01	3.02	3.01	3.02	3.02	3.01	3.02	A	OK
27	3.80±0.10							3.83	3.83	3.83	3.83	3.83	3.83	3.83	A	OK
28	Ø3.85±0.15							3.81	3.80	3.81	3.80	3.81	3.80	3.81	B	OK
29	12.2+0/-0.15							12.19	12.19	12.19	12.18	12.19	12.18	12.19	B	OK
30	5.12±0.15							5.11	5.12	5.11	5.12	5.12	5.11	5.12	A	OK
31	2.55±0.10							2.56	2.55	2.55	2.55	2.56	2.55	2.55	A	OK
32	9.00±0.15							5.03	5.01	5.03	5.01	5.03	5.01	5.02	B	OK
33	12.2+0/-0.15							12.18	12.20	12.18	12.20	12.20	12.18	12.19	A	OK
34																
35																
36																
37																
38																

东莞市凯华电子有限公司

表单流程: 品管部填写 → 工程产品设计确认 → 发生产, 品管, 模具, 采购 → 工程文员保存

Date:	Supplie:	Model No:	Model Name:	Name Of Inspection Facilit:
2016/4/9	自制	1280	KHS481	卡尺
Inspection Performed By:	Dwg No:	Prat No:	Rev Level:	Inspection Description / Program:
罗衡军			A	红轴导芯-十字导芯尺寸测量

NO	DIMENSION	TOLERANCE			Cavity NO.																	OK	NG			
					A	B	C	D	E	F	G	H	I	J	K	L	M	N	O	P						
		红轴导芯																								
1	4.00	+	0.05	-	0.05	3.98	3.97	3.97	3.97	4.00	3.99	3.99	3.96	3.96	3.98	3.97	3.98	3.98	3.97	3.97	3.98			OK		
2	4.00	+	0.05	-	0.05	4.00	4.01	3.99	4.00	4.01	4.00	4.00	4.00	4.01	4.02	4.02	4.01	4.01	4.02	4.02	4.03			OK		
3	1.08	+	0.05	-	0.05	1.10	1.10	1.10	1.1	1.1	1.1	1.1	1.11	1.1	1.12	1.11	1.1	1.1	1.1	1.11	1.1			OK		
4	1.08	+	0.05	-	0.05	1.11	1.11	1.11	1.09	1.11	1.10	1.09	1.10	1.12	1.12	1.11	1.11	1.11	1.12	1.12	1.11			OK		
5	1.28	+	0.03	-	0.03	1.29	1.29	1.29	1.29	1.31	1.31	1.31	1.30	1.30	1.31	1.30	1.30	1.31	1.30	1.29	1.29			OK		
6	1.28	+	0.03	-	0.03	1.28	1.29	1.29	1.28	1.31	1.31	1.31	1.31	1.29	1.30	1.30	1.30	1.30	1.30	1.30	1.29			OK		





东莞市凯华电子有限公司

盐雾试验报表

KH-FM-QA-036A

品名规格	PG1280红轴	料号	PG128001S01	批号	20160315001	抽检数	10PCS				
材质	触点	表面处理	镀金	测试日期	2016-3-15	测试周期	12H				
实验条件	浓度5±1%的盐水溶液，盐浴温度35±5℃，在连续喷雾12H后取出用纯净水清洗干净风干。										
判定标准	五金电镀表面无发黄、发黑、生锈等氧化现象。										
测试设备	盐雾腐蚀试验箱、量杯、量筒、玻璃、玻璃棒										
实验后											
判定标准	测试结果										判定
	1	2	3	4	5	6	7	8	9	10	
五金电镀表面无发黄、发黑、生锈等氧化现象	OK	OK	OK	OK	OK	OK	OK	OK	OK	OK	OK
最终判定:	<input checked="" type="checkbox"/> OK <input type="checkbox"/> NG										
异常状况及处理对策：12H实验后：产品五金电镀表面无发黄、发黑、生锈等氧化现象。											

测试员:华前会

审核:胡祥发

核准:罗世军



东莞市凯华电子有限公司

可焊性实验报表

KH-FM-QA-043A

品名规格	PG1280红轴	料号	PG128001S01	批号	20160315001	抽检数	10PCS						
材质	触点	表面处理	镀金	测试日期	2016-3-15	测试周期	2±0.5S						
实验条件	试验环境、条件及判定标准												
可焊性实验	260±5℃，焊接2±0.5S，本体无变形，熔胶，上锡率≥95%，测试后满足电气，机械性能												
测试设备	温控锡炉												
实验后													
判定标准	测试结果										判定		
	1	2	3	4	5	6	7	8	9	10			
260±5℃，焊接2±0.5S，本体无变形，熔胶，上锡率≥95%，测试后满足电气，机械性能	OK	OK	OK	OK	OK	OK	OK	OK	OK	OK	OK		
最终判定：								<input checked="" type="checkbox"/> OK				<input type="checkbox"/> NG	
异常状况及处理对策： 实验后：产品本体无变形、熔胶、等外观不良现象，上锡良好。													

测试员:华前会

审核:胡祥发

核准:罗世军



东莞市凯华电子有限公司

耐焊接热实验报表

KH-FM-QA-044A

品名规格	PG1280红轴	料号	PG128001S01	批号	20160315001	抽检数	10PCS								
材质	触点	表面处理	镀金	测试日期	2016-3-15	测试周期	5±1S								
实验项目	试验环境、条件及判定标准						测试设备								
耐焊接热实验	高温60±2℃, 低温-22±2℃, 各测试48H后满足各种电气, 机械性能.						锡炉								
测试项目	测试条件及判定标准						检测仪器								
操作力	将产品放在测试治具上, 保证产品与探测头平行, 平整, 垂直, 干净.						推拉力计/按键测试仪								
接触电阻	产品导通的端子接触电阻小于200mΩ, 无电性开路, 短路, 不稳定现象						直流低电阻仪								
260±5℃, 焊接2±0.5s	电压DC250V, 电阻100MΩ以上, 测试1分钟, 无绝缘破坏为OK.						绝缘电阻仪								
耐压	电压AC250V, 测试1分钟, 无电弧, 火花现象.						耐压测试仪								
测试前															
测试项目	规格	测试结果													判定
		1	2	3	4	5	6	7	8	9	10	MAX	MIN	\bar{X}	
操作力	45±15gf	50.7	51.3	52.1	53.1	48.2	51.3	48.5	53.9	48.1	17.2	53.9	17.2	47.44	OK
接触电阻	≤200mΩ	18.32	19.63	17.68	25.3	25.1	24.6	23.9	17.88	18.2	19.6	25.3	17.68	21.021	OK
绝缘阻抗	≥100MΩ	OK	OK	OK	OK	OK	OK	OK	OK	OK	OK	OK	OK	OK	OK
耐压	AC250V/1分钟	OK	OK	OK	OK	OK	OK	OK	OK	OK	OK	OK	OK	OK	OK
测试后															
测试项目	规格	测试结果													判定
		1	2	3	4	5	6	7	8	9	10	MAX	MIN	\bar{X}	
操作力	45±15gf	49.2	52.3	53.5	49.6	49.8	52.2	49.5	51.3	49.9	48.8	53.5	48.8	50.61	OK
接触电阻	≤200mΩ	19.85	18.67	19.35	28.1	26.3	27.5	25.6	20.9	18.8	19.3	28.1	18.67	22.437	OK
绝缘阻抗	≥100MΩ	OK	OK	OK	OK	OK	OK	OK	OK	OK	OK	OK	OK	OK	OK
耐压	AC250V/1分钟	OK	OK	OK	OK	OK	OK	OK	OK	OK	OK	OK	OK	OK	OK
最终判定: <input checked="" type="checkbox"/> OK <input type="checkbox"/> NG															
异常状况及处理对策: 实验后: 产品本体无变形、熔胶、等外观不良现象, 经测试, 也无功能性异常现象, 均能满足各种电气机械性能。															

测试员: 华前会

审核: 胡祥发

核准: 罗世军



东莞市凯华电子有限公司

高低温实验报表

KH-FM-QA-045A

品名规格	PG1280红轴	料号	PG128001S01	批号	20160315001	抽检数	10PCS
材质	触点	表面处理	镀金	测试日期	2016-3-15	测试周期	96H

实验项目	试验环境、条件及判定标准						测试设备
高低温实验	高温 $60\pm 2^{\circ}\text{C}$, 低温 $-22\pm 2^{\circ}\text{C}$, 各测试48H后满足各种电气, 机械性能.						高低温试验箱

测试项目	测试条件及判定标准						检测仪器
操作力	将产品放在测试治具上, 保证产品与探测头平行, 平整, 垂直, 干净.						推拉力计/按键测试仪
接触电阻	产品导通的端子接触电阻小于 $200\text{m}\Omega$, 无电性开路, 短路, 不稳定现象						直流低电阻仪
260 $\pm 5^{\circ}\text{C}$, 焊接	电压DC250V, 电阻 $100\text{M}\Omega$ 以上, 测试1分钟, 无绝缘破坏为OK.						绝缘电阻仪
耐压	电压AC250V, 测试1分钟, 无电弧, 火花现象.						耐压测试仪

测试前

测试项目	规格	测试结果													判定
		1	2	3	4	5	6	7	8	9	10	MAX	MIN	\bar{X}	
操作力	45 $\pm 15\text{gf}$	48.46	53.56	52.4	50.17	51.81	48.63	47.3	48.33	53.16	51.05	53.56	47.3	50.483	OK
接触电阻	$\leq 200\text{m}\Omega$	26.18	25.85	23.2	22.96	25.32	27.83	26.61	25.56	28.07	26.34	28.07	22.96	25.789	OK
绝缘阻抗	$\geq 100\text{M}\Omega$	OK	OK	OK	OK	OK	OK	OK	OK	OK	OK	OK	OK	OK	OK
耐压	AC250V/1分钟	OK	OK	OK	OK	OK	OK	OK	OK	OK	OK	OK	OK	OK	OK

测试后

测试项目	规格	测试结果													判定
		1	2	3	4	5	6	7	8	9	10	MAX	MIN	\bar{X}	
操作力	45 $\pm 15\text{gf}$	49.42	52.36	50.3	51.53	48.86	50.36	47.51	50.64	54.86	48.27	54.86	47.51	50.408	OK
接触电阻	$\leq 200\text{m}\Omega$	24.41	26.63	25.4	23.36	24.38	26.68	28.63	27.17	26.02	27.24	27.24	23.36	29.675	OK
绝缘阻抗	$\geq 100\text{M}\Omega$	OK	OK	OK	OK	OK	OK	OK	OK	OK	OK	OK	OK	OK	OK
耐压	AC250V/1分钟	OK	OK	OK	OK	OK	OK	OK	OK	OK	OK	OK	OK	OK	OK

最终判定: OK NG

异常状况及处理对策: 实验后: 产品无外观不良现象, 经测试, 也无功能性不良现象, 均能满足各种电气、机械性能。

测试员: 华前会

审核: 胡祥发

核准: 罗世军



东莞市凯华电子有限公司

恒温恒湿实验报表

KH-FM-QA-046A

品名规格	PG1280红轴	料号	PG128001S01	批号	20160315001	抽检数	10PCS
材质	触点	表面处理	镀金	测试日期	2016-3-15	测试周期	96H

实验项目	试验环境、条件及判定标准						测试设备	
------	--------------	--	--	--	--	--	------	--

恒温恒湿实验	高温 $60\pm 2^{\circ}\text{C}$, 低温 $-22\pm 2^{\circ}\text{C}$, 各测试48H后满足各种电气, 机械性能.						高低温湿热试验箱	
--------	---	--	--	--	--	--	----------	--

测试项目	测试条件及判定标准						检测仪器	
------	-----------	--	--	--	--	--	------	--

操作力	将产品放在测试治具上, 保证产品与探测头平行, 平整, 垂直, 干净.						推拉力计/按键测试仪	
-----	-------------------------------------	--	--	--	--	--	------------	--

接触电阻	产品导通的端子接触电阻小于 $200\text{m}\Omega$, 无电性开路, 短路, 不稳定现象						直流低电阻仪	
------	--	--	--	--	--	--	--------	--

$260\pm 5^{\circ}\text{C}$, 相对湿度	电压DC250V, 电阻 $100\text{M}\Omega$ 以上, 测试1分钟, 无绝缘破坏为OK.						绝缘电阻仪	
-----------------------------------	---	--	--	--	--	--	-------	--

耐压	电压AC250V, 测试1分钟, 无电弧, 火花现象.						耐压测试仪	
----	-----------------------------	--	--	--	--	--	-------	--

测试前

测试项目	规格	测试结果													判定
		1	2	3	4	5	6	7	8	9	10	MAX	MIN	\bar{X}	
操作力	$45\pm 15\text{gf}$	46.36	51.3	48.18	47.65	50.41	51.36	47.11	52.23	54.17	52.46	54.17	46.36	50.123	OK
接触电阻	$\leq 200\text{m}\Omega$	23.18	26.31	25.36	28.18	23.64	25.51	26.86	27.13	23.36	25.1	28.18	23.18	25.463	OK
绝缘阻抗	$\geq 100\text{M}\Omega$	OK	OK	OK	OK	OK	OK	OK	OK	OK	OK	OK	OK	OK	OK
耐压	AC250V/1分钟	OK	OK	OK	OK	OK	OK	OK	OK	OK	OK	OK	OK	OK	OK

测试后

测试项目	规格	测试结果													判定
		1	2	3	4	5	6	7	8	9	10	MAX	MIN	\bar{X}	
操作力	$45\pm 15\text{gf}$	50.17	50.63	48.5	50.18	51.33	50.15	53.16	51.93	52.12	52.18	53.16	48.5	51.035	OK
接触电阻	$\leq 200\text{m}\Omega$	25.18	26.16	23.75	26.65	22.18	26.51	27.31	25.56	28.1	25.08	28.1	22.18	25.648	OK
绝缘阻抗	$\geq 200\text{M}\Omega$	OK	OK	OK	OK	OK	OK	OK	OK	OK	OK	OK	OK	OK	OK
耐压	AC250V/1分钟	OK	OK	OK	OK	OK	OK	OK	OK	OK	OK	OK	OK	OK	OK

最终判定: OK NG

异常状况及处理对策: 实验后: 产品无外观不良现象, 经测试, 也无功能性异常现象, 均能满足各种电气、机械性能。

测试员: 华前会

审核: 胡祥发

核准: 罗世军