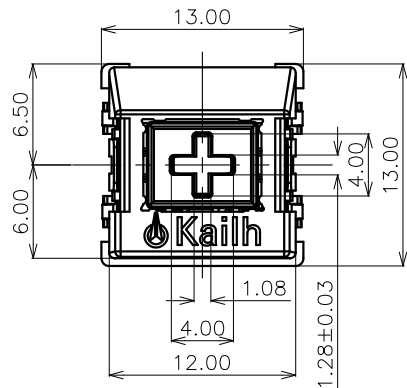
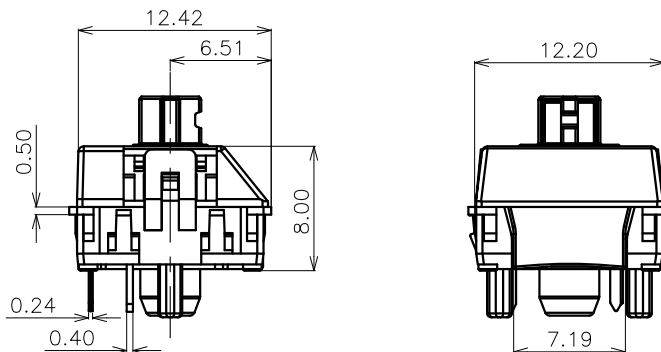
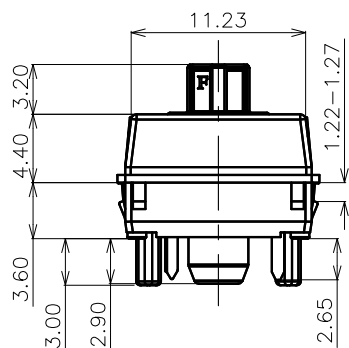
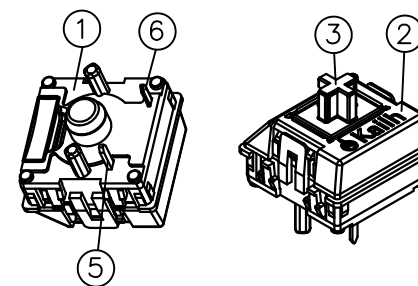
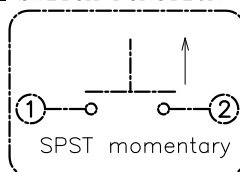


ABIDE BY ROHS



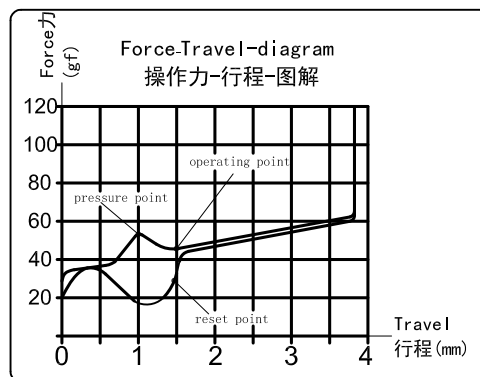
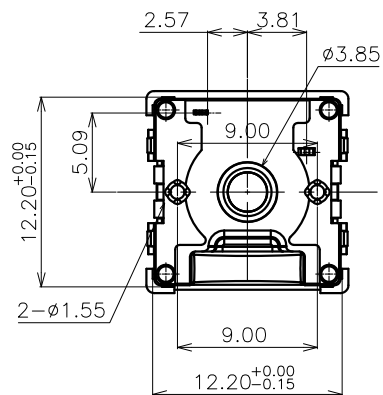
SWITCH FUNCTION



Specification :

- 1.Rating:
Voltage :12V AC/DC max.,2V DC min.
Current: 10mA AC/DC max.,10µA DC min.
- 2.Contact Resistance : 200mΩ Max
- 3.Insulation Resistance :100MΩ at 100V
- 4.Withstand Voltage :AC100V(50-60Hz) for 1 minute
- 5.Bounce Time: ≤5msec (at 16 in/sec. actuation speed)
- 6.Operation Force : 45±15gf (35-75gf for total travel)
- 7.Pretravel: 1.5±0.5mm
- 8.Total travel: 3.5±0.5mm
- 9.Operating Life :50,000,000 Cycles
- 10.For assembly more than 1X1.5 keycap, it need install a equalizing bar.

Click Tactile feel-Blue shaft

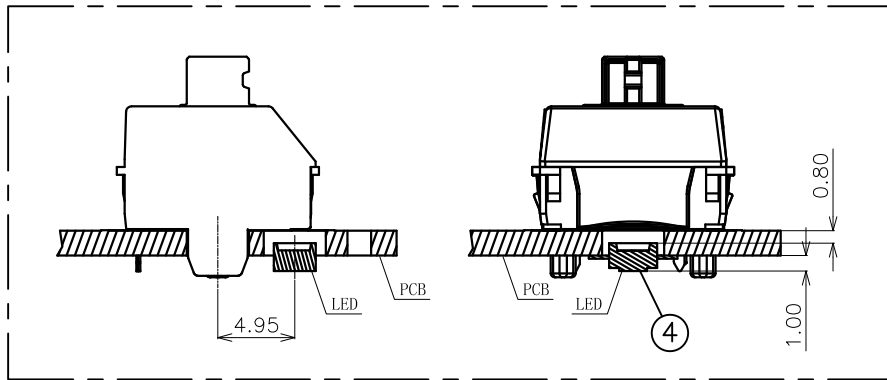


| ⑥ | Terminal B | 1 | Copper Alloy | | | |
|------|------------|--------|--------------|------------------|-----------|--------|
| ⑤ | Terminal A | 1 | Copper Alloy | | | |
| ④ | LED | 1 | See led spec | R.G.B full color | | |
| ③ | Keystroke | 1 | POM | Nature | UL94HB | |
| ② | Cover | 1 | PC | | | |
| ① | Base | 1 | Nylon | | | |
| ITEM | PART NAME | TER'NO | QTY. | MATERIAL | FINISHING | REMARK |

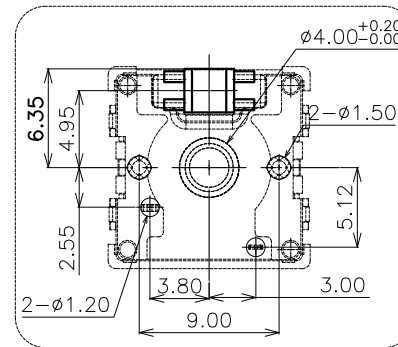
| | | | | | | | |
|----------------|---------|-----------|--|-----------------------------|-------------|------------|--------------|
| APPROVALS | | DATE | DONGGUAN CITY KAIHUA ELECTRONICS CO.,LTD | | | | |
| DRAWN | Chenjun | 2015-3-25 | Kaih | | | | |
| CHECKED | | | TITLE: | PG1280 KeySwitches with LED | | | |
| APPROVALS | | | PART NO. | PG128001S03 | | | |
| TOLERANCES ARE | | 30<L | ±0.30 | ANGLE | UNIT: mm | SCALE: 1:1 | PROJ: |
| | | 10<L | ±0.20 | | DRAWING NO. | | SHEET 1 OF 2 |
| | | 5<L | ±0.15 | | | | |
| | | L | ±0.10 | | | | |

| | | | | | | | |
|---------|------|-------|-----|--------------|---------|--------|--------|
| ECN NO. | REV. | DATE. | NEW | DESCRIPTION. | CHANGE. | CHECK. | APPRO. |
|---------|------|-------|-----|--------------|---------|--------|--------|

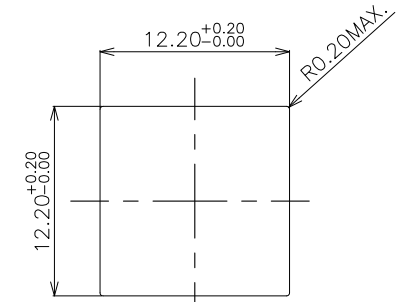
ABIDE BY ROHS



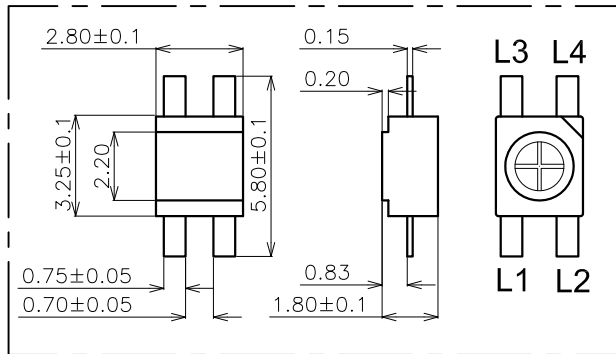
LED Assembly Drawing



PCB Layout (Drilling patterns)





Matel frame thickness: 1.2±0.05mm
Matel frame cutout dimensions



LED Drawing
SCALE 2:1

■ R.G.B Full Color NO.(共阳)

| Terminal No. | L1 | L2 | L3 | L4 |
|--------------|----|----|----|----|
| Colour | | | | |
| Red | | ● | | ● |
| Green | ● | | | ● |
| Blue | | | ● | ● |

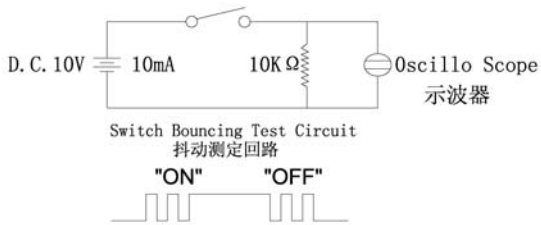

| APPROVALS | | DATE |  DONGGUAN CITY KAIHUA ELECTRONICS CO.,LTD | | | | | | | | | | | | | |
|-----------|---------|-----------|--|--|--------|--------|-------------|--------------|--------|-------|-----|-------|-------|----------|------------|---|
| DRAWN | Chenjun | 2015-3-25 | TITLE: | PG1280 KeySwitches with LED | | | | | | | | | | | | |
| CHECKED | | | PART NO. | PG128001S03 | | | | | | | | | | | | |
| APPROVALS | | | TOLERANCES ARE | <table border="1"> <tr><td>30<L</td><td>±0.30</td></tr> <tr><td>10<L≤30</td><td>±0.20</td></tr> <tr><td>5<L≤10</td><td>±0.15</td></tr> <tr><td>L≤5</td><td>±0.10</td></tr> </table> | 30<L | ±0.30 | 10<L≤30 | ±0.20 | 5<L≤10 | ±0.15 | L≤5 | ±0.10 | ANGLE | UNIT: mm | SCALE: 1:1 | PROJ:  |
| 30<L | ±0.30 | | | | | | | | | | | | | | | |
| 10<L≤30 | ±0.20 | | | | | | | | | | | | | | | |
| 5<L≤10 | ±0.15 | | | | | | | | | | | | | | | |
| L≤5 | ±0.10 | | | | | | | | | | | | | | | |
| ECN NO. | REV. A | DATE. | DESCRIPTION. | CHANGE. | CHECK. | APPRO. | DRAWING NO. | SHEET 2 OF 2 | | | | | | | | |

1. General specification 基本事项

- 1.1 Switch action : Push-on type, S. P. S. T
开关种类 : 按键开关, 单刀单掷
- 1.2 Switch rating 额定值 : 12 VAC/DC max. 2 VDC min. 10mA AC/DC max. 10µA DC min.
- 1.3 Operation temperature range 使用温度试验范围 : - 10 ~ +60°C
- 1.4 Storage temperature range 保存温度范围 : - 20 ~ + 60°C
- 1.5 Suggested storage period 贮存期限 : about 6 months 最多六个月
Require the tin part on the switch terminals should keep good after storage guarantee date
要求贮存期后开关端子部分上锡仍然良好
- 1.6 Appearance and dimensions 外形及尺寸 : See outside drawing page 见外形尺寸图
- 1.7 Led specification LED 规格 : See Led specification 见LED规格书 (BZPG1583-08002)
- 1.8 Standard condition Unless otherwise specified, the test and measurements shall be
试验、测定状态 carried out as follows:
Ambient temperature 温度: 20±2°C Relative humidity 相对湿度: 45 ~ 85
Air pressure 气压: 86 ~ 106kPa(860~1060mbar)
However, if doubt arises on the decision based on the measured
Values under the above-mentioned conditions, the following conditions shall be employed:
但是在对判定产生疑义时,按下述状态实施:
Ambient temperature 温度:20±2°C Relative humidity 相对湿度: 65±5%
Air pressure 气压: 86 ~ 106kPa(860~1060mbar)

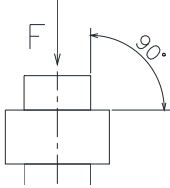
2. Performance 性能

2.1 Electrical characteristics 电气性能

| No. | Item 项目 | Test condition 试验条件 | Performance 规格 |
|---|--|---|---|
| 2.1.1 | Contact resistance 接触电阻 | Push force: (Operation force) x 2。 测定时的负荷: 操作方向动作力基准值的2倍。 Measurement tool : Contact resistance meter 测定器: 微电流接触电阻计(1kHz, 20mV, 5~50mA) | 200mΩ MAX 200mΩ 以下 |
| 2.1.2 | Insulation resistance 绝缘电阻 | D. C. 100V(Between terminals) (端子间) | 100MΩ min 100MΩ 以上 |
| 2.1.3 | Withstand voltage 耐电压 | AC 100V for 1 min (Between terminals) (端子间) | No. insulation destruction. 无绝缘破坏. |
| 2.1.4 | Bouncing 触点抖动 | Operation speed : 3~4 times/s 操作速度: 每秒3~4次 Oscillo scope 示波器 Switch Bouncing Test Circuit 抖动测定回路  Switch Bouncing Test Circuit 抖动测定回路 "ON" "OFF" | ON:5ms max 5ms以下 OFF:5ms max 5ms以下 |
| REVISION | A版 | | |
| | NEW | | |
|  | DONGGUAN CITY KAIHUA ELECTRONICS CO., LTD 东莞市凯华电子有限公司 | | WRITTEN BY |
| | | | Chenjun |
| | | CHECKED BY | APPROVED BY |
| | | | |

PG128001S03 Keyswitch Specification

2.2 Mechanical Characteristics 机械性能

| No. | Item 项目 | Test condition 试验条件 | Performance 规格 |
|-------|---|--|---|
| 2.2.1 | Operation force 动作力 Travel to closure 动作行程 (见图表) |  <p style="text-align: center;">Force-Travel-diagram 操作力-行程-图解</p> | operating force 操作力: $45 \pm 15\text{gf}$ Full Travel 全行程: $3.5 \pm 0.5\text{mm}$ Pre Travel 预行程: $1.5 \pm 0.5\text{mm}$ |
| 2.2.2 | Push strength 按压强度 | 50N(5Kgf) for 15 sec 50N(5Kgf) 15 秒  | No damage (Electrical and mechanical) 无异常 (电气、机械性能) |
| 2.2.3 | Pull strength 推压强度 | Break by drawing push plate in the direction of right diagram 抽拔推杆使其破坏的强度. | 50N min (5kgf min) |
| 2.2.4 | Vibration test 耐振性 | 1) Amplitude 全振幅: 1.5 mm 2) Sweep rate: 10-55-10HZ for 1 minute 扫描速度: 10-55-10HZ 1 分钟 3) Sweep method: Logarithmic frequency sweep rate 扫描方式: 对数频率扫描速度 4) Vibration direction : X, Y, Z (3 directions) 振动方向: X,Y, Z (3 方向) 5) Time : Each direction 2 hours (Total 6 hours) 时间: 每个方向2 个小时(共6 个小时) | No.2.1 and 2.2.1 to 2.2.2 shall be satisfied 满足2.1 项和2.2.1 至 2.2.2 项. |
| 2.2.5 | Soldering heat test 耐焊接热 | 端子焊接部分浸入焊炉, 焊炉温度 $260 \pm 5^\circ\text{C}$, 焊接时间 5 ± 1 秒。(焊接时不可于端子施加外力)。 Terminals shall be dipped in the solder bath at $260 \pm 5^\circ\text{C}$ for 5 ± 1 seconds without additional force for terminals. | No damage (electrical and mechanical) 无异常 (气、机械特性) |
| 2.2.6 | Solderbility 可焊性 | After sprated flux / 涂上助焊剂后 temperature : $260 \pm 5^\circ\text{C}$ / 温度: $260 \pm 5^\circ\text{C}$ soldering time : 2 ± 0.5 sec/ 焊接时间: 2 ± 0.5 秒 | 70% or more of surface area of the portion immersed in solder shall be covered by new solder / 70% 或更多的浸焊面能被焊锡覆盖. |

REVISION

A 版

NEW



DONGGUAN CITY KAIHUA ELECTRONICS CO., LTD
东莞市凯华电子有限公司

WRITTEN BY

Chenjun

CHECKED BY

APPROVED BY

PG128001S03 Keyswitch Specification

2.3 Climatic characteristics 耐候性能

| No. | Item 项目 | Test condition 试验条件 | Performance 规格 | | | | | | | | | | | | |
|---------------------|------------------------------|---|--|-------------------|-----------------------------|---------------------|----------------------------|----|-----------------------------|----|----------------------------|----|----------------------------|----|---|
| 2.3.1 | Cold test 耐寒性 | 1) Temperature : $-20 \pm 2^{\circ}\text{C}$ 温度: $-20 \pm 2^{\circ}\text{C}$ 2) Duration of test: 48h 持续时间: 48 小时 3) Take off a drop water 去掉水珠 4) Standard conditions after test : 1h 试验后的放置条件: 1 小时 | Contact resistance 200m Ω max No. 2.1.2 to 2.1.4 and No. 2.2.1 to 2.2.2 shall Be satisfied 接触电阻 200m Ω 以下 满足2.1.2 到2.1.4 项、 2.2.1 到2.2.2 项. | | | | | | | | | | | | |
| 2.3.2 | Heat test 耐热性 | 1) Temperature : $60 \pm 2^{\circ}\text{C}$ 温度: $60 \pm 2^{\circ}\text{C}$ 2) Duration of test: 48h 持续时间: 48 小时 3) Standard conditions after test : 1h 试验后的放置条件: 1 小时 | Contact resistance 200m Ω max No. 2.1.2 to 2.1.4 and No. 2.2.1 to 2.2.2 shall Be satisfied 接触电阻 200m Ω 以下 满足2.1.2 到2.1.4 项、 2.2.1 到 2.2.2 项. | | | | | | | | | | | | |
| 2.3.3 | Temperature cycle 温度循环 | 1) Test cycles :20 cycles 试验周期: 20 个周期 2) Standard condition after test :1h 试验后的放置条件: 1 小时 <table border="1" style="width: 100%; margin-top: 10px;"> <thead> <tr> <th style="width: 30%;"></th> <th style="width: 35%;">temperature 温度</th> <th style="width: 35%;">duration of test 持续时间</th> </tr> </thead> <tbody> <tr> <td rowspan="4" style="text-align: center;">1 cycle 一次 循环</td> <td style="text-align: center;">$20 \pm 5^{\circ}\text{C}$</td> <td style="text-align: center;">1h</td> </tr> <tr> <td style="text-align: center;">$-40 \pm 2^{\circ}\text{C}$</td> <td style="text-align: center;">1h</td> </tr> <tr> <td style="text-align: center;">$20 \pm 5^{\circ}\text{C}$</td> <td style="text-align: center;">1h</td> </tr> <tr> <td style="text-align: center;">$60 \pm 5^{\circ}\text{C}$</td> <td style="text-align: center;">1h</td> </tr> </tbody> </table> | | temperature 温度 | duration of test 持续时间 | 1 cycle 一次 循环 | $20 \pm 5^{\circ}\text{C}$ | 1h | $-40 \pm 2^{\circ}\text{C}$ | 1h | $20 \pm 5^{\circ}\text{C}$ | 1h | $60 \pm 5^{\circ}\text{C}$ | 1h | Contact resistance 200m Ω max No. 2.1.2 to 2.1.4 and No. 2.2.1 to 2.2.2 shall be satisfied 接触电阻 200m Ω 以下 满足2.1.2 到2.1.4 项、 2.2.1 到2.2.2 项. |
| | temperature 温度 | duration of test 持续时间 | | | | | | | | | | | | | |
| 1 cycle 一次 循环 | $20 \pm 5^{\circ}\text{C}$ | 1h | | | | | | | | | | | | | |
| | $-40 \pm 2^{\circ}\text{C}$ | 1h | | | | | | | | | | | | | |
| | $20 \pm 5^{\circ}\text{C}$ | 1h | | | | | | | | | | | | | |
| | $60 \pm 5^{\circ}\text{C}$ | 1h | | | | | | | | | | | | | |
| 2.3.4 | Humidity test 耐湿性 | 1) Temperature : $60 \pm 2^{\circ}\text{C}$ 温度: $60 \pm 2^{\circ}\text{C}$ 2) relative humidity: 90~95% 相对湿度:90~95% 3) Duration of test: 96h 持续时间: 96 小时 3) Take off a drop water 去掉水珠 5) Standard conditions after test : 1h 试验后的放置条件: 1 小时 | Contact resistance 200m Ω max No. 2.1.2 to 2.1.4 and No. 2.2.1 to 2.2.2 shall Be satisfied 接触电阻 200m Ω 以下 满足2.1.2 到2.1.4 项、 2.2.1 到2.2.2 项. | | | | | | | | | | | | |

REVISION

A 版

NEW



DONGGUAN CITY KAIHUA ELECTRONICS CO., LTD
 东莞市凯华电子有限公司


WRITTEN BY

Chenjun

CHECKED BY

APPROVED BY

PG128001S03 Keyswitch Specification

| No. | Item 项目 | Test condition 试验条件 | Performance 规格 | |
|--|---|--|---|-------------|
| 2.3.5 | Endurance (switching action) 耐久特性 (开关寿命) | 1) D.C.12V 10mA resistance load D.C 12V 10mA 电阻负荷 2) Operation speed : 1 times / s 动作速度: 2-3 次/ 秒 3) Push force : Maximum value of operation force 按力: 动作力规格值的上限 4) Operation number:50,000,000cycles 动作次数:50, 000, 000次 | After endurance test, 寿命测试后, Contact resistance 30Ω max 接触电阻 30Ω 以下 Variation rate of operation force shall be within ±30%to the value before testing 动作力的变化范围在初始值的±30%以内 No.2.1.2 and 2.2.2 shall Be satisfied 满足2.1.2 和2.2.2 项 | |
| 2.3.6 | 盐雾实验 Salt Mist Test | 试件在下述实验后测量: 1. 温度: 35±5°C 2. 盐溶液浓度: 5±1% (质量百分比), 3. 试验时间: 4 小时, 4. 试验后, 将盐沉积物用水冲掉。 The switch shall be checked after following test: 1. Temperature: 35±5°C 2. Salt solution: 5±1%(Solids by mass) 3. Duration: 4 hours, 4. After immersing, salt deposit shall be removed by running water. | Contact resistance 200mΩ max No. 2.1.2 to 2.1.4 and No. 2.2.1 to 2.2.2 shall Be satisfied 接触电阻 200mΩ 以下 满足2.1.2 到2.1.4 项、2.2.1 到2.2.2 项. | |
| 2.3.7 | Shock 耐冲击性 | Measure after test at a condition below 在下列条件下进行测试后的量度 Peak acceleration:80G 冲击加速度:80G Test time-6direction ,each 3 times total 18 times 测试次数-6 个方向, 各3 次共计18 次。 | No.2.1 and 2.2.1 to 2.2.2 shall be satisfied 第2.1 及2.2.1—2.2.2 都应符合要求 | |
| REVISION | | A 版 | | |
| | | NEW | | |
|  DONGGUAN CITY KAIHUA ELECTRONICS CO., LTD 东莞市凯华电子有限公司 | | WRITTEN BY | CHECKED BY | APPROVED BY |
| | | Chenjun | | |

PG128001S03 Keyswitch Specification

4. Precaution 注意事项

4.1 Soldering condition 浸焊条件

| ITEM 项目 | CONDITION 条 件 |
|-------------------------------|--|
| Preheat temperature 预热温度 | 110°C max (Embilomental temperature of soldering surface of P. W. E) 110°C 以下(印刷基板焊锡面周围的温度) |
| Preheat time 预热时间 | 60 sec, max 60 秒以内 |
| Area of flux 助焊剂的面积 | 1/2 max of P. W. B. thickness 印刷基板厚度的1/2 以内 |
| Temperature of solder 焊锡温度 | 260±5°C 260±5°C |
| Time of immersion 浸焊时间 | Within 5 sec 5 秒以内 |
| Soldering number 浸焊次数 | Within 2 times (But should bring down heat of the first soldering) 2 次以内 (但应把第一次焊锡的温度降下来) |
| Printed wiring board 印刷基板 | Single sided copper-clad laminates 单面铜箔 |

1) After switches were soldered, please be careful not to clean switches with solvent

开关浸焊后,注意不要用溶剂清洗.

2) In the case of using soldering iron, soldering conditions shall be 280oC max and 3 sec. max

在使用烙铁的情况下, 焊锡温度应在350±10°C 以下, 3 秒以内.

3) Right after switches were soldered; please be careful not to load on the knobs of switches.

浸焊后,注意不要在顶部施加负荷.

4.2 Note(注意点)

1) Please be cautious not to give excessive static load or shock to switches.

注意不要施加超负荷的压力或晃动开关.

2) Please be careful not to pile up P. W. B. after switches were soldered.

开关焊接以后,印刷基板注意不要叠放.

3) Preservation under high temperature and high humidity or corrosive gas should be avoided

especially. When you need to preserve for a long period, do not open the carton.

保管时尤其应注意避开高湿高温和有腐蚀性气体的环境.如需长时间保存,请不要打开包装箱.

4) Panasert RH and RH6 shall be used as the standard insert machine (use N type clinch).

使用标准插入机器PANASERT 和RH6 (使用N 式钉)

5) CONTROL HAZARDOUS SUBSTANCE: THE PRODUCT SHOULD BE MEET

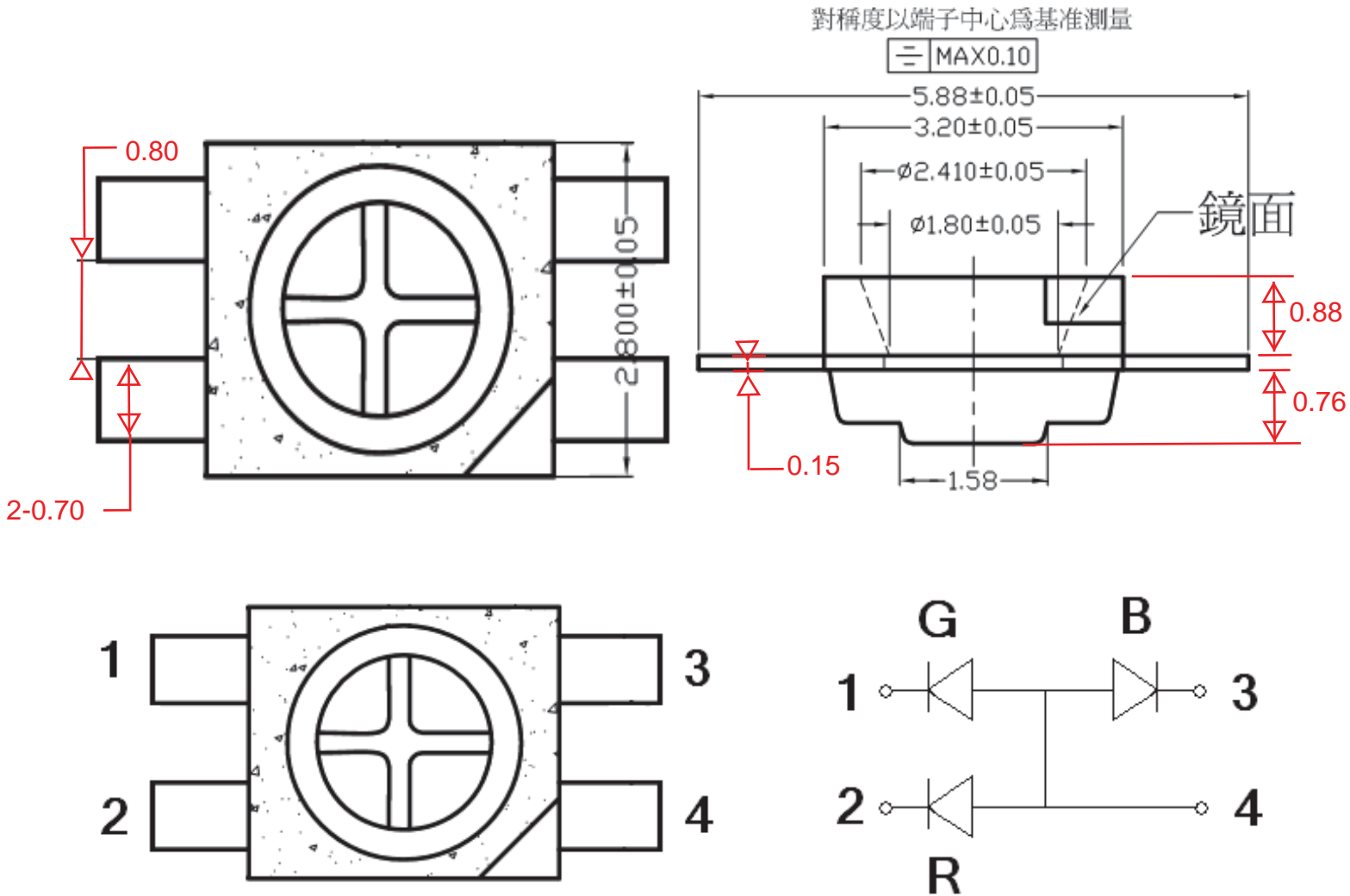
ROHS SPECIFICATION.

产品应满足 ROHS 环境管理物质管制标准

| | | | |
|--|------------|------------|-------------|
| REVISION | A 版 | | |
| | NEW | | |
|  DONGGUAN CITY KAIHUA ELECTRONICS CO., LTD 东莞市凯华电子有限公司 | WRITTEN BY | CHECKED BY | APPROVED BY |
| | Chen jun | | |

KAILH-PG1280-SMT-LED

Emitter 外型图:



Note:

- Super High brightness of surface mount LED
- Sorting for I_v and $V_f@20mA$ of I_f
- Compatible to IR reflow soldering.
- The tolerances unless mentioned is $\pm 0.2mm$, Unit = mm

KAILH-PG1280-SMT-LED

■ Absolute Maximum Rating 极限工作参数

| Item 项目 | Symbol 代号 | Absolute Maximum Rating 极限工作参数 | Unit 单位 |
|---------------------------------|--------------|--|------------|
| Forward Current 正向电流 | IF | 20 | mA |
| Peak Forward Current 瞬间脉冲电流 | IFP | 50 | mA |
| Reverse Voltage 反向电压 | VR | 5 | V |
| Electrostatic discharge 静电释放 | ESD | 1000 | V |
| Operating Temperature 工作温度范围 | TOPR | -35~+85 | °C |
| Storage Temperature 存放温度范围 | TSTG | -40~+90 | °C |
| Soldering Temperature 最高焊接温度 | TSOL | Reflow Soldering: 220°C for 5 sec Hand Soldering: 260°C for 3 sec | |

■ Electro-Optical Characteristics (Ta=25°C) 光电特性参数

| Item 项目 | Symbol 代号 | Condition 测试条件 | Min 最小值 | Typ 典型值 | Max 最大值 | Unit 单位 | |
|-------------------------------------|--------------|-------------------|------------|------------|------------|------------|-----|
| Forward Voltage 正向电压 | VF | IF=20mA | R | 1.8 | 2.1 | 2.4 | V |
| | | | G | 2.7 | 3.0 | 3.3 | |
| | | | B | 2.8 | 3.1 | 3.4 | |
| Light intensity 光强度 | IV | IF=20mA | R | 400 | 450 | 500 | mcd |
| | | | G | 900 | 950 | 1000 | |
| | | | B | 300 | 350 | 400 | |
| Wavelength 波长 | WD | IF=20mA | R | 620 | 623 | 625 | nm |
| | | | G | 517 | 519 | 522 | |
| | | | B | 465 | 467 | 468 | |
| Luminous Flux 光通量 | Φ | IF=20mA | R | 1.8 | 2.0 | 2.2 | lm |
| | | | G | 5.7 | 6.0 | 6.3 | |
| | | | B | 1.4 | 1.6 | 1.8 | |
| Reverse current 逆向电流 | IR | IF=20mA | | | 5 | uA | |
| Viewing Angle 半光全角 | 2θ 1/2 | IF=20mA | | | 120 | deg | |
| Recommend Forward Current 持续正向电流 | IF(rec) | IF=20mA | | | 20 | mA | |

Notes:

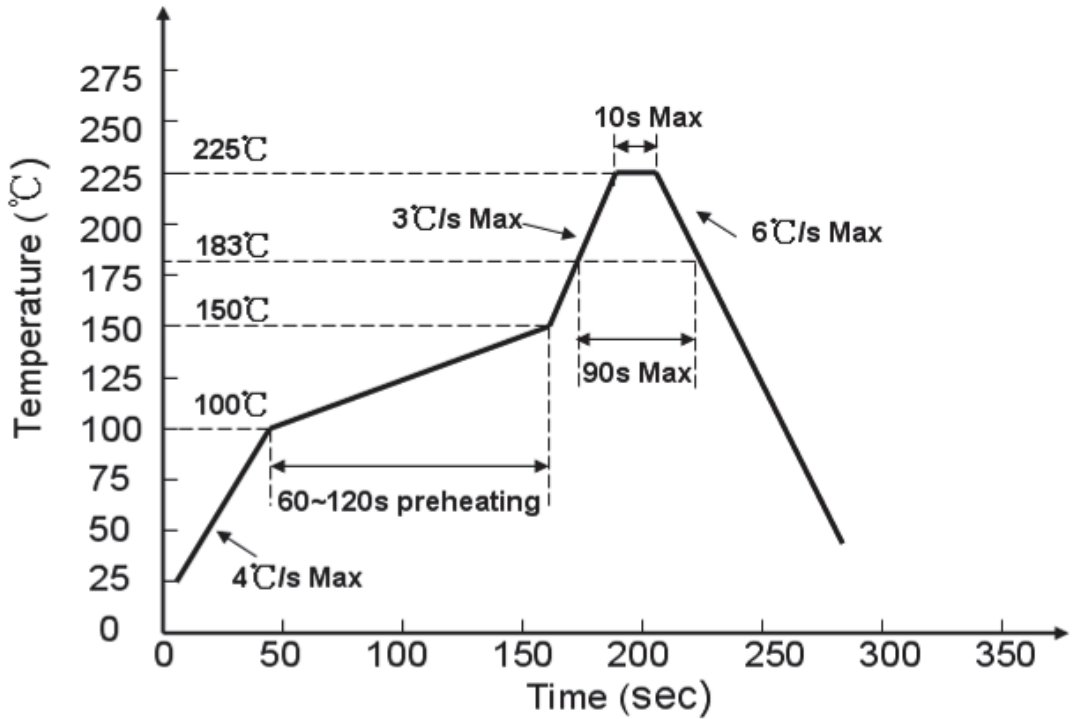
1. Work absolute ratings Ta=25°C 工作常规值 温度=25°C

2. Tolerance of measurement of forward voltage ±0.1V 正向电压误差范围 ±0.1V

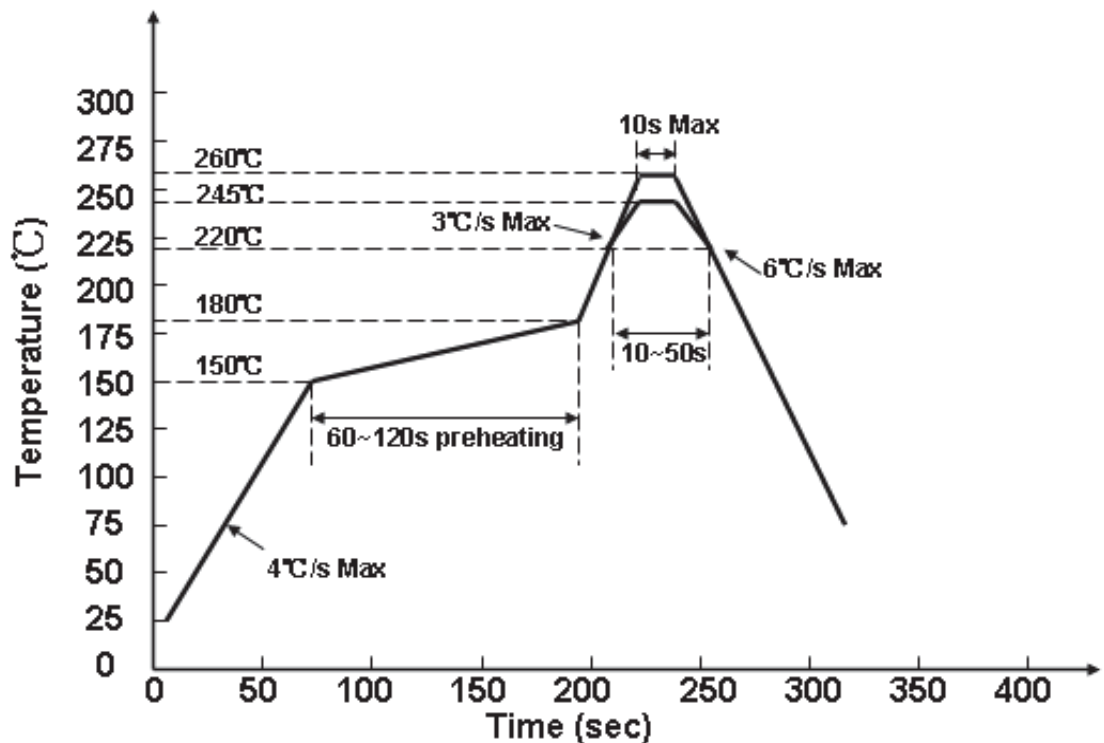
KAILH-PG1280-SMT-LED

■ Soldering Profile Suggested

1、 For Lead Solder



2、 For Lead Free Solder



Notes:

We recommend the soldering temperature $245 \pm 5^\circ\text{C}$;
The maximum temperature should be limited to 260°C .

NOTE:

Number of reflow process shall be less than 2 times and cooling process to normal temperature is required between first and second soldering process. 回流焊接应该少于 2 次，在第一和第二次焊接之间要求有冷却至常温的过程。

一、PRECAUTIONS IN USE LED/使用 LED 注意事项；

LED Soldering condition/ LED 焊接条件；

1: 烙铁焊接：烙铁最高 30W 尖端温度不超过 300℃；焊接时不超过 3 秒；

Manual soldering: iron Maximum 30W, iron bit temperature can not over 300 degree; soldering time should not be more than 3 seconds;

Cleanout/清洗；

当用化学品清洗 LED 胶体时须特别小心，因为有些化学品对胶体表面有损伤并引起褪色如三氯乙烯、丙酮，可用乙醇擦拭浸渍，时间在常温下不超过 2 分钟。

Utmost care must be taken when using chemical to clean LED, Some chemical can damage the surface of epoxy and will cause colour fading, such as trichloroethylene, acetone etc ethanol can be used to wipe and dip under normal temperature, but the time should not be more than 2 minutes.

ESD Protection/静电防护；

静电和电流的急剧升高会对 LED 产生损伤，LED 系列产品使用时请使用防静电装置，如防静电带和手套。

Excessive ESD and current could damage the LED, protection equipment such as bands when operate LED Product.

注意：使用时人体放电模式 HBM<1000V；机器放电模式 HBM<100V。

Attention: Human Body discharge Mode HBM<1000V; Machine discharge Mode MM<100V

Reliability Test/可靠性试验；

我公司的 LED 产品不仅要经过生产线的自动分档测试仪检测、分档，而且要经过严格的可靠性试验，这些试验标准都是采用业内公认 MIL-STD-。

Our LED chips are classified by machine in production line; and strictly performed the reliability test according to world wide standard MIL-STD-.